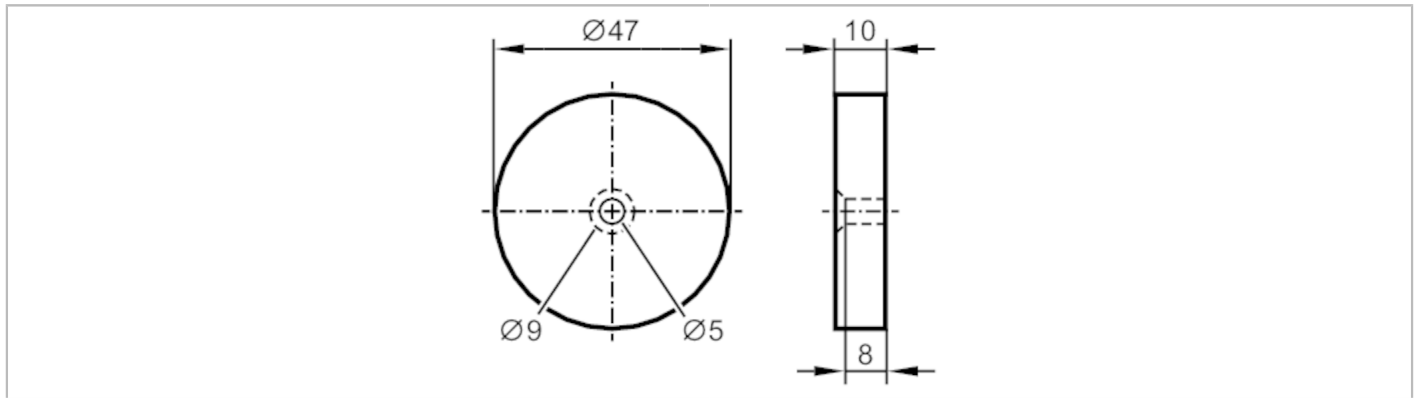


# E80341



## RFID tag

ID-TAG/47X10.0/06



Application		
Operating temperature (active)	[°C]	-25...85
Peak temperature (passive)	[°C]	110
Electrical data		
Operating frequency	[MHz]	13,56
Memory size	[bit]	896
Memory type		EEPROM
Chip type		ICODE SLIX
Number of the blocks		28
Block size	[Byte]	4
Unique Identification Number (UID)	[Byte]	8
RFID standard		ISO 15693
Max. read cycles		unlimited
Max. write cycles		100000
Operating conditions		
Ambient temperature	[°C]	-25...85
Storage temperature	[°C]	-40...110
Protection		IP 68
Tests / approvals		
Shock resistance	DIN IEC 68-2-27	40 g 18 ms
Vibration resistance	DIN IEC 68-2-6	10 g 10...2000 Hz
Radio approval		ISO 15693
Mechanical data		
Weight	[g]	186.1
Type of mounting		Installation on metal and non-metal materials; (screw fastening ; sticking to a surface)
Dimensions	[mm]	Ø 47 / L = 10
Material		PU
Remarks		
Pack quantity		10 pcs.

# E80341



## RFID tag

ID-TAG/47X10.0/06

### Other data

#### Reading distance when mounted on non-metal (mm)

ANT410 / DTI410	5
ANT411 / DTI411	15
ANT420 / DTI420 / DTM424 / DTI424 / DTM426	-
ANT421 / DTI421 / DTM425 / DTI425 / DTM427	4
ANT430 / DTI430 / DTM434 / DTI434 / DTM436	25
ANT431 / DTI431 / DTM435 / DTI435 / DTM437	40
ANT513 / DTI513 / DTC510	70
ANT515 / DTI515 / ANT516 / DTI516	25
ANT600 / DTI600	120

#### read distance when mounted on metal (mm)

ANT410 / DTI410	-
ANT411 / DTI411	-
ANT420 / DTI420 / DTM424 / DTI424 / DTM426	-
ANT421 / DTI421 / DTM425 / DTI425 / DTM427	15
ANT430 / DTI430 / DTM434 / DTI434 / DTM436	10
ANT431 / DTI431 / DTM435 / DTI435 / DTM437	20
ANT513 / DTI513 / DTC510	35
ANT515 / DTI515 / ANT516 / DTI516	10
ANT600 / DTI600	-