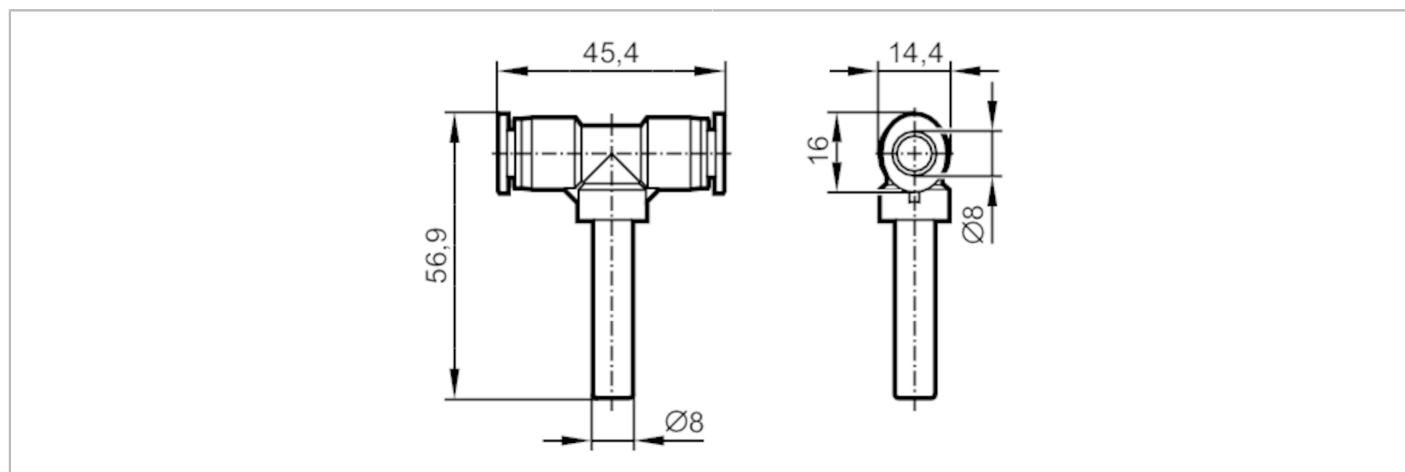


E75227



Push-in T-fitting for pneumatic connections

AirBox push-in T-connect 10pcs



Application	
Media	compressed air according to ISO 8573-1: 2001
Operating conditions	
Operating pressure [bar]	10; (min. -0,95)
Ambient temperature [°C]	-20...80
Mechanical data	
Weight [g]	120.1
Material	housing: Nickel-plated brass / PA66; release ring: polyoxymethylene; tooth lock washer: stainless steel; form ring: NBR
Tube fittings	8 mm
Sleeve diameter [mm]	8
Remarks	
Pack quantity	10 pcs.