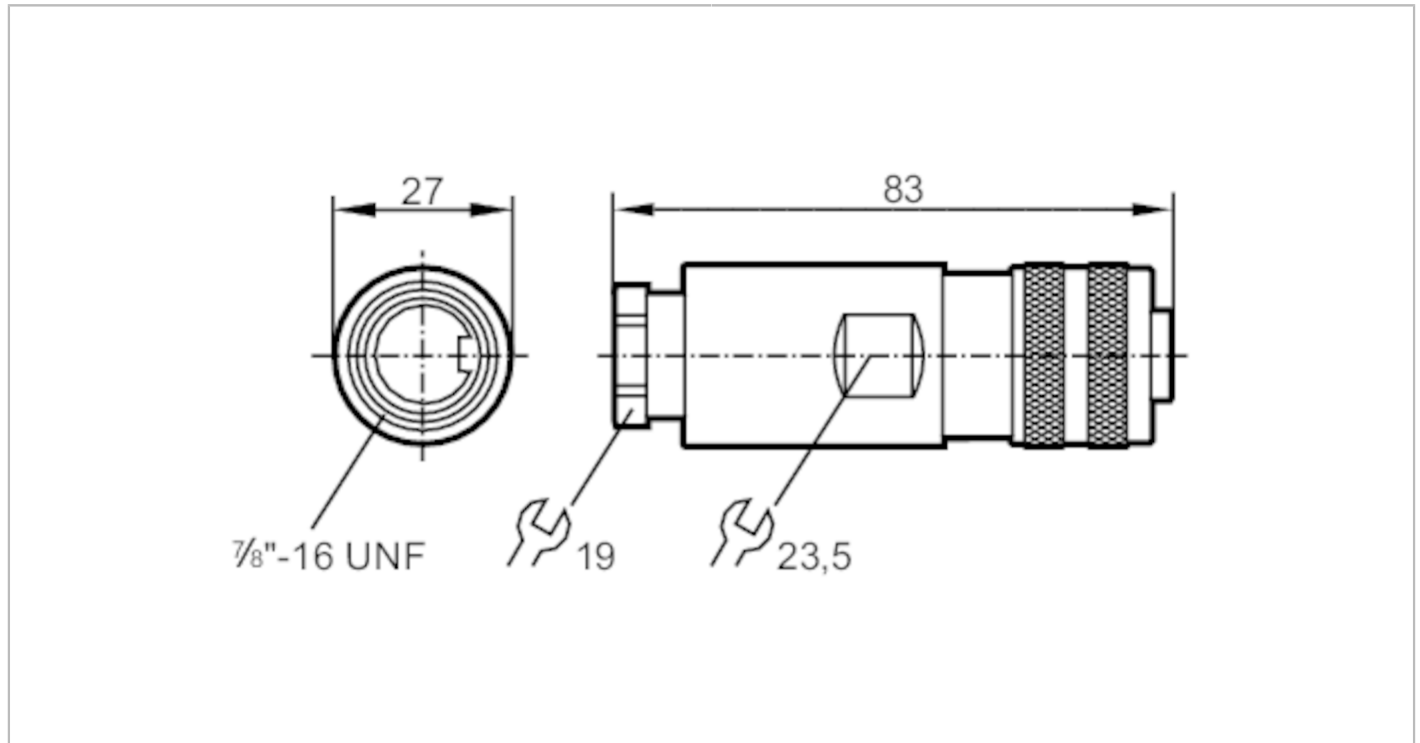


# E70170



## Female wirable connectors

SDOGB030ZDSFKPG



Electrical data		
Operating voltage	[V]	< 300 AC/DC
Max. current load total	[A]	12
Operating conditions		
Ambient temperature	[°C]	-25...85
Protection		IP 67
Mechanical data		
Weight	[g]	54.2
Dimensions	[mm]	27 x 27 x 83
Molded-body material		PBT
Material nut		diecast zinc
Remarks		
Pack quantity		1 pcs.

# E70170



## Female wirable connectors

SDOGB030ZDSFKPG

### Electrical connection

terminals: ...1.5 mm<sup>2</sup>; Cable sheath: Ø 8...10 mm

### Electrical connection - Socket

Connector: 1 x 7/8", straight; Moulded body: PBT; Locking: diecast zinc



### Connection

