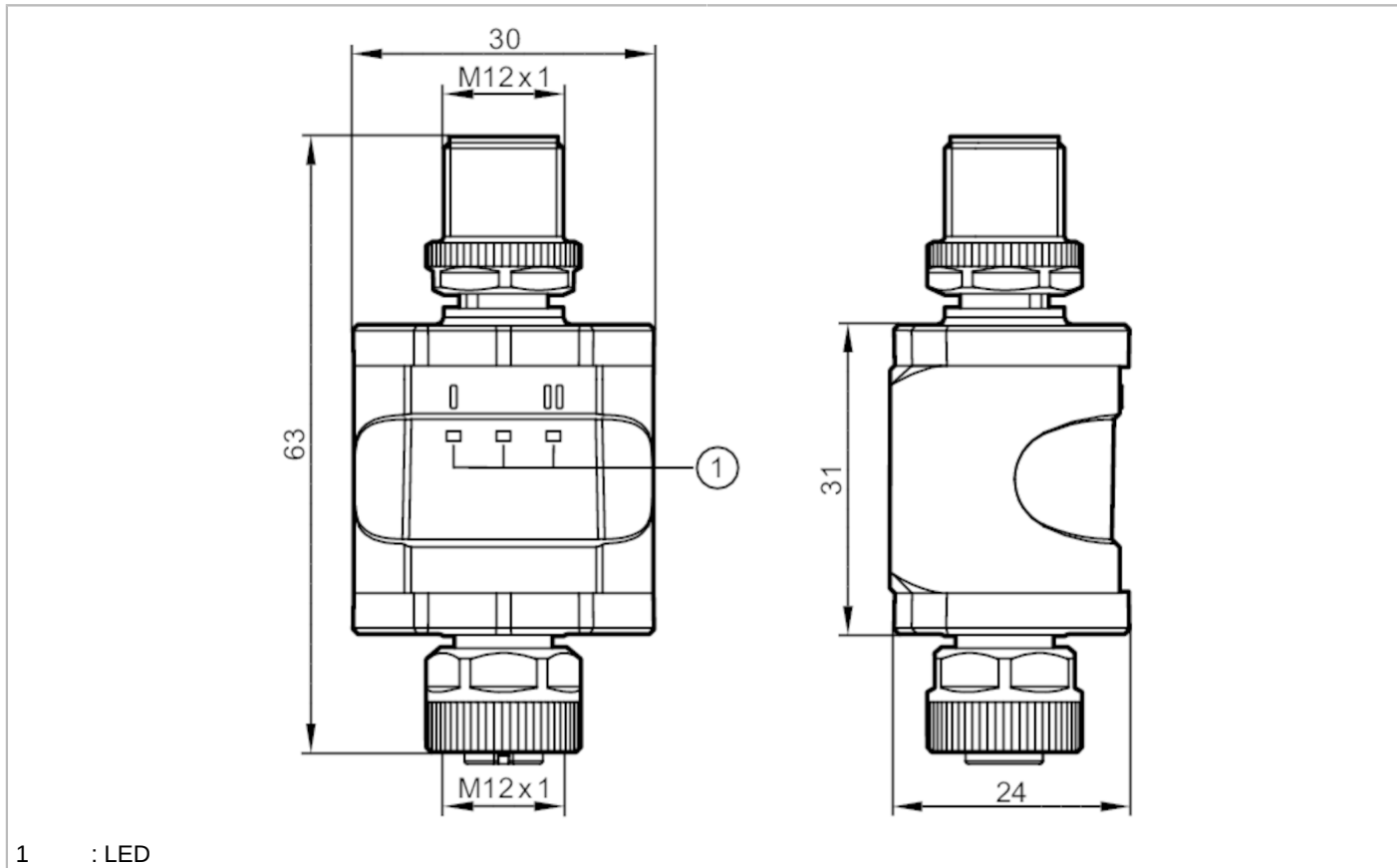


# E43406



## IO-Link data splitter

IO-LINK DATA SPLITTER PNP



Product characteristics	
Number of inputs and outputs	Number of digital outputs: 1
Application	
System	gold-plated contacts
Application	for retrofitting of existing IO-Link systems; for systems without IO-Link capabilities
Electrical data	
Operating voltage [V]	18...30 DC; (on the master side; on the controller / system: 20...30 DC)
Nominal voltage DC [V]	24
Current consumption [mA]	< 17; (both sides)
Protection class	III
Reverse polarity protection	yes; (on the master side)
Power-on delay time [s]	< 2; (for communication; response time switching signal: response time device added with IO-Link process cycle time)
Inputs / outputs	
Total number of inputs and outputs	1; (on the controller / system)
Number of inputs and outputs	Number of digital outputs: 1
Outputs	
Output signal	switching signal; IO-Link
Electrical design	PNP
Number of digital outputs	1

# E43406



## IO-Link data splitter

IO-LINK DATA SPLITTER PNP

Output function		normally open / closed
Max. voltage drop switching output DC	[V]	2.5
Permanent current rating of switching output DC	[mA]	200
Type of short-circuit protection		yes (non-latching)
Short-circuit proof		yes
Overload protection		yes

### Interfaces

Communication interface	IO-Link	
Supported DeviceIDs	<b>Type of operation</b>	<b>DeviceID</b>
	IO-Link Device	1107

IO-Link Device		
Note on interfaces	connection to IO-Link Master	
Transmission type	COM2 (38,4 kBaud)	
IO-Link revision	1.1	
SDCI standard	IEC 61131-9	
Profiles	Smart Sensor - SSP 0	Generic Profiled Sensor
	Function	Device identification
	Function	Process data variable
	Function	Device diagnosis
	Function	Extended identification
SIO mode	yes	
Required master port class	A	
Min. process cycle time	[ms]	4.2

IO-Link Master		
Note on interfaces	connection to IO-Link enabled auxiliary devices	
Unterstützte Masterportklasse	A / B	
Transmission type	COM1 (4,8 kBaud); COM2 (38,4 kBaud); COM3 (230,4 kBaud)	
IO-Link revision	1.0; 1.1	
SDCI standard	IEC 61131-9	

### Operating conditions

Ambient temperature	[°C]	-25...60
Storage temperature	[°C]	-25...70
Protection		IP 67

### Tests / approvals

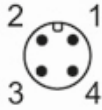
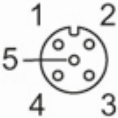
EMC	DIN EN 61000-6-2	
	DIN EN 61000-6-4	in plastic or open metal tanks
Shock resistance	DIN EN 60068-2-27	15 g (6 ms)
Vibration resistance	DIN EN 60068-2-6	2 g (10...150 Hz)
MTTF	[years]	307
UL approval	Ta	max. 55 °C
	File number UL	E205959

# E43406



## IO-Link data splitter

IO-LINK DATA SPLITTER PNP

Mechanical data		
Weight [g]	90	
Material	stainless steel (1.4404 / 316L); brass (2.0401); PBT; PA; sealing: FKM;	
Displays / operating elements		
Display	Switching output	1 x LED, yellow
	Power	1 x LED, green
	IO-Link	1 x LED, yellow
Accessories		
Accessory required	Y connection cable 1, EVC843	
Remarks		
Remarks	For information on the maximum cable length please refer to the operating instructions. To ensure the function according to technical datasheet and operating instructions the use of the following article is imperative: EVC843 the device complies with overvoltage category II	
Pack quantity	1 pcs.	
Electrical connection		
Electrical connection - plug		
Connector: 1 x M12; coding: A; Contacts: gold-plated		
		
1	L+	
2	NC	
3	L-	
4	C: IO-Link	
Electrical connection - Socket		
Connector: 1 x M12; coding: A; Contacts: gold-plated		
		
1	L+	
2	C/Q: IO-Link Master	
3	L-	
4	OUT1: switching output or IO-Link	
5	NC	

# E43406



## IO-Link data splitter

IO-LINK DATA SPLITTER PNP

### Electrical connection

#### Connection

