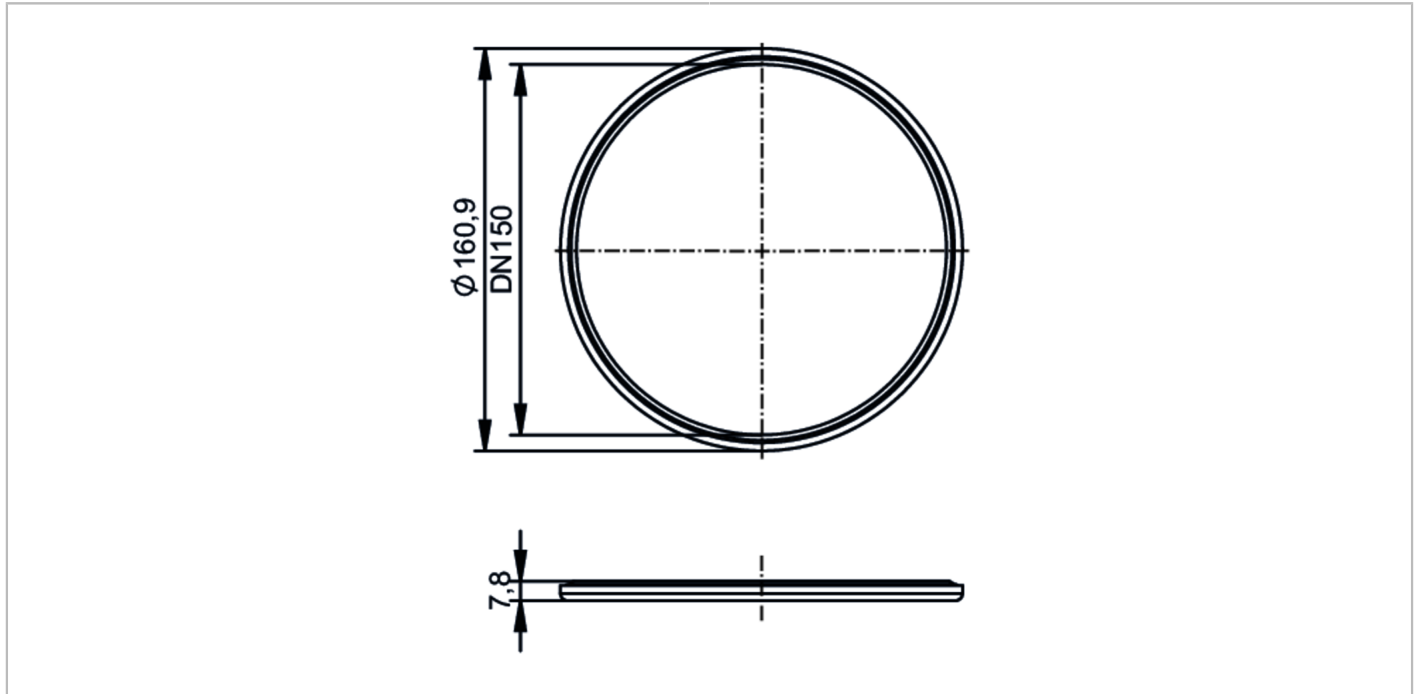


# E40548



## Gasket

SEAL RING FKM DN150



ADI-FREE EC 1935/2004 FCM FDA USP

Application	
Design	for flow meter SMF
Application	food and beverage industry; hygienic systems
Medium temperature [°C]	0...150
Mechanical data	
Weight [g]	62.9
Housing	circular
Inside diameter [mm]	148.1
Outer diameter [mm]	160.9
Material	FKM
Nominal diameter	DN150 (6")
Remarks	
Pack quantity	2 pcs.