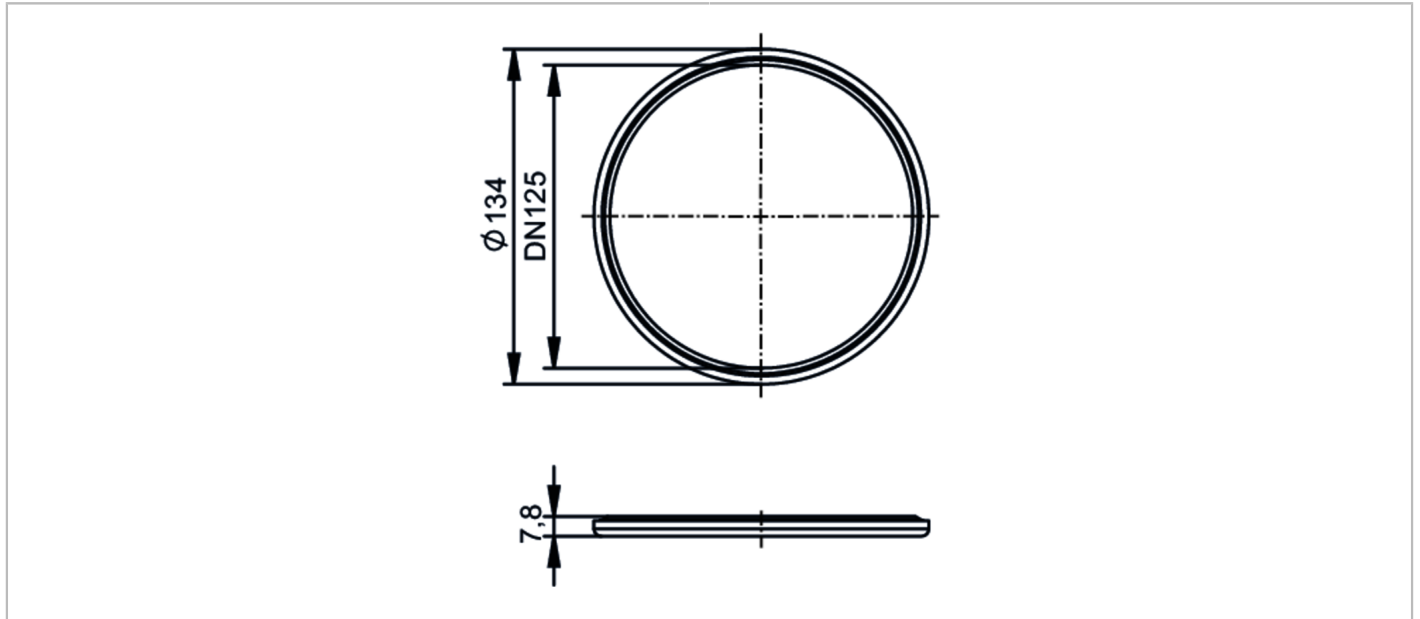


# E40547



## Gasket

SEAL RING FKM DN125



ADI-FREE EC 1935/2004 FCM FDA USP

Application	
Design	for flow meter SMF
Application	food and beverage industry; hygienic systems
Medium temperature [°C]	0...150
Mechanical data	
Weight [g]	55
Housing	circular
Inside diameter [mm]	121.2
Outer diameter [mm]	134
Material	FKM
Nominal diameter	DN125 (5")
Remarks	
Pack quantity	2 pcs.