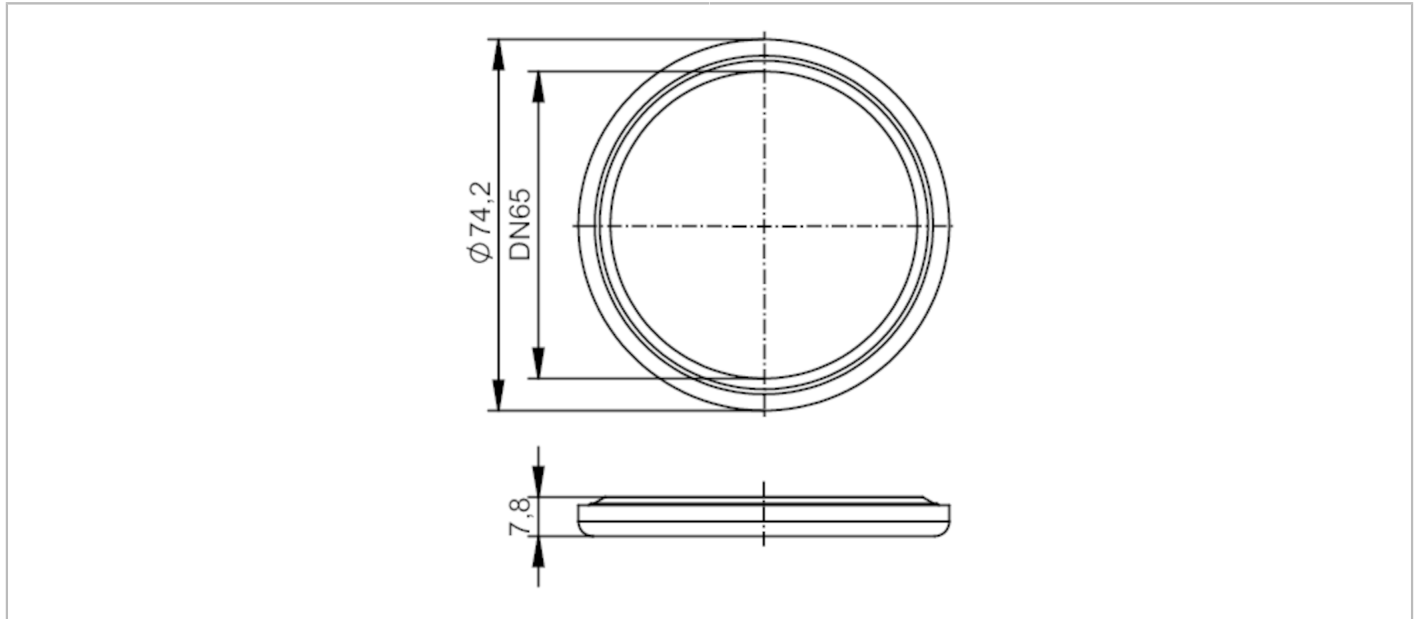


E40544



Gasket

SEAL RING FKM DN65



EC 1935/2004 FCM FDA

| Application | |
|-------------------------|----------------------------------------------|
| Design | for flow meter SMF |
| Application | food and beverage industry; hygienic systems |
| Medium temperature [°C] | 0...150 |
| Mechanical data | |
| Weight [g] | 31.9 |
| Housing | circular |
| Inside diameter [mm] | 61.4 |
| Outer diameter [mm] | 74.2 |
| Material | FKM |
| Nominal diameter | DN65 (2 1/2") |
| Remarks | |
| Pack quantity | 2 pcs. |