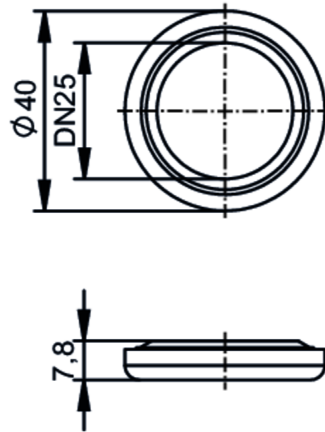


# E40541



## Gasket

SEAL RING FKM DN25



ADI-FREE EC 1935/2004 FCM FDA USP

### Application

Design	for flow meter SMF
Application	food and beverage industry; hygienic systems
Medium temperature [°C]	0...150

### Mechanical data

Weight [g]	15.9
Housing	circular
Inside diameter [mm]	27.2
Outer diameter [mm]	40
Material	FKM
Nominal diameter	DN25 (1")

### Remarks

Pack quantity	2 pcs.
---------------	--------