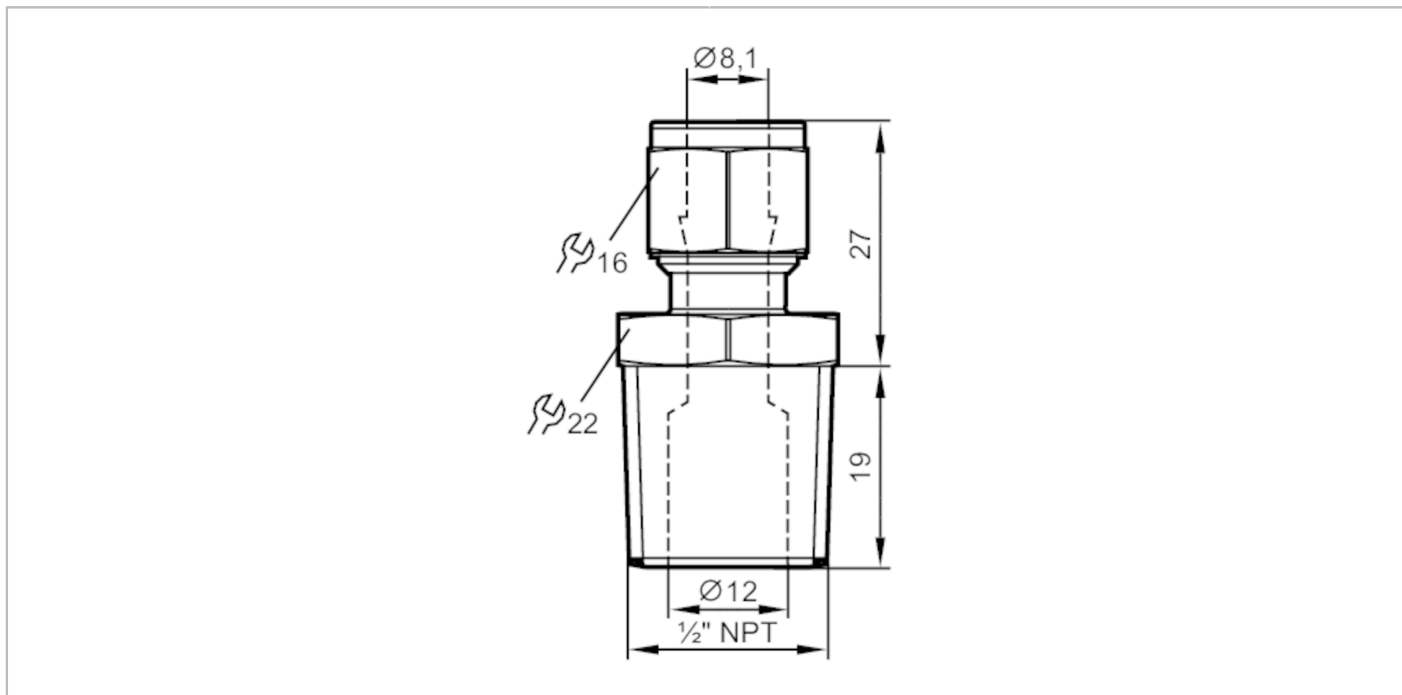


E40261



Progressive ring fitting

COMPRESSION FITTING 1/2 NPT



CRN

Application	
Installation	Progressive ring fitting
Pressure rating	50 bar 5 MPa
MAWP (for applications according to CRN) [bar]	50
Tests / approvals	
Pressure equipment directive	A possible classification to PED depends on the application and has to be carried out by the user / operator.
Safety instructions	The compatibility between medium and product material has to be checked in all applications.
Mechanical data	
Weight [g]	80
Material	stainless steel (1.4404 / 316L)
Sensor connection	Ø 8 mm
Process connection	threaded connection 1/2" NPT
Remarks	
Pack quantity	1 pcs.