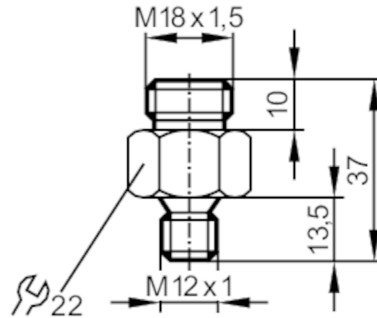


# E40100



## Screw-in adapter for process sensors

Adapter SI0/M12x1/MS



Application	
Application	for industrial applications
Media	liquids and gases
Pressure rating	30 bar 3 MPa
Tests / approvals	
Pressure equipment directive	A possible classification to PED depends on the application and has to be carried out by the user / operator.
Safety instructions	The compatibility between medium and product material has to be checked in all applications.
Mechanical data	
Weight [g]	59.1
Dimensions [mm]	M18 x 1.5
Thread designation	M18 x 1.5
Material	brass (2.0401)
Sensor connection	M18 x 1,5 Internal thread
Process connection	threaded connection M12 x 1
Insertion depth [mm]	13.5; (Measuring probes SID, SFD, TN)
Accessories	
Items supplied	sealings: 1, AFM
Remarks	
Remarks	In applications >30 bar use a suitable high-pressure adapter.
Pack quantity	1 pcs.