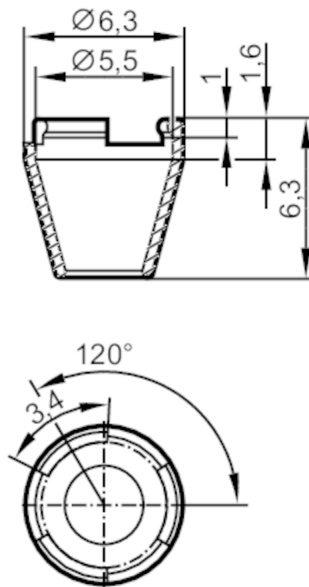


E38831



Gasket

TA G1/8 PEEK-RING



EC 1935/2004 FCM

Application

Design for sealing cone G 1/8

Mechanical data

Weight [g] 3.6

Material sealing ring on process side: PEEK in contact with the medium

Remarks

Pack quantity 1 pcs.