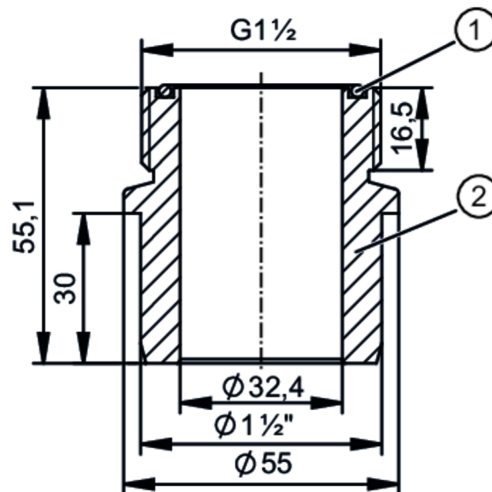


# E33717



## Adhesive adapter

ADHES ADAPT 1 1/2 ASTM - G1 1/2



- 1 O-ring 36 x 2.5
- 2 adhesive adapter 1 1/2 ASTM G 1 1/2

Application	
Design	for sensor LDL400
Installation	for gluing into PVC T-pieces
Medium temperature	0...60 °C      32...140 °F
Pressure rating	10 bar      145 psi      1 MPa
Note on pressure rating	at medium temperature 46 °C at medium temperature 116 °F
Tests / approvals	
Pressure equipment directive	A possible classification to PED depends on the application and has to be carried out by the user / operator.
Safety instructions	The compatibility between medium and product material has to be checked in all applications.
Mechanical data	
Weight [g]	78.2
Material	housing: PVC-U; O-ring: EPDM
Sensor connection	G 1 1/2 DIN ISO 228-1
Process connection	connecting nipple ASTM D1785a Ø 1 1/2 "
Accessories	
Items supplied	O-ring: 1
Remarks	
Pack quantity	1 pcs.

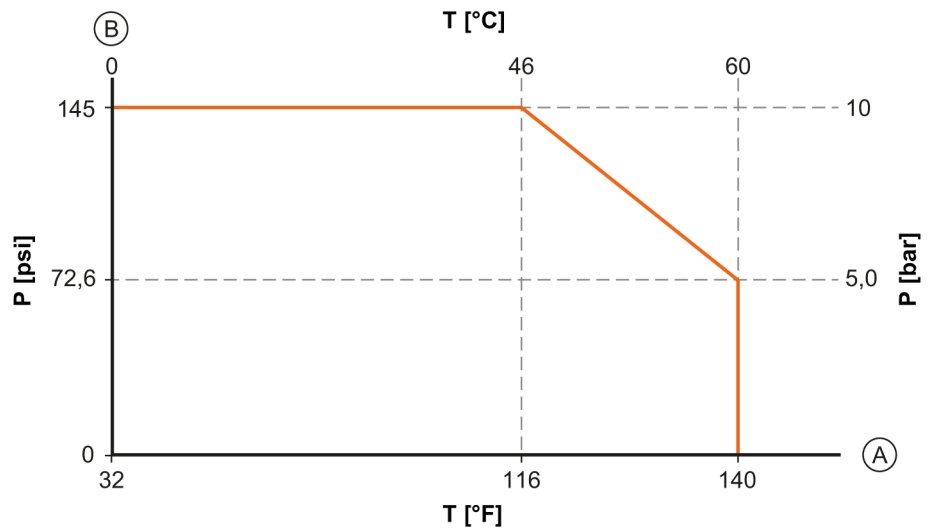
# E33717



## Adhesive adapter

ADHES ADAPT 1 1/2 ASTM - G1 1/2

### Diagrams and graphs



- A Medium temperature
- B Pressure rating