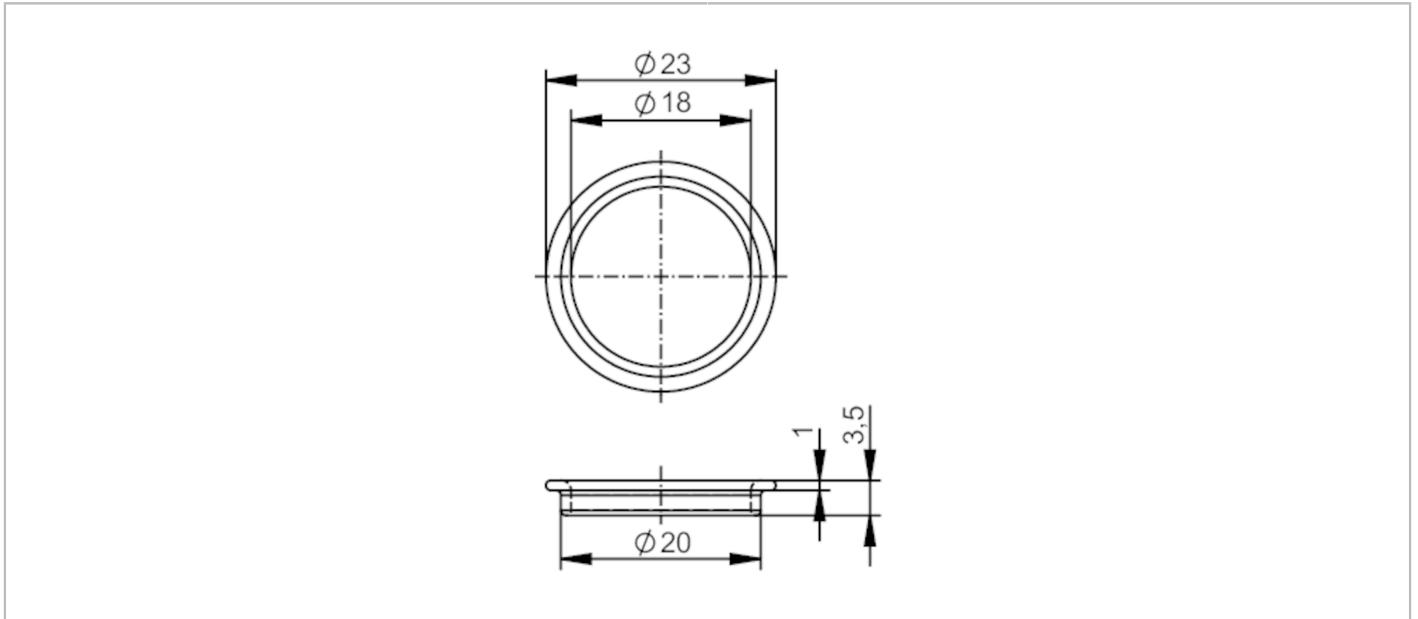


E30522



Gasket

SEAL RING G1/2 FKM



Application

Design for units with process connection G ½

Operating conditions

Ambient temperature [°C] -25...200

Tests / approvals

Standard DIN EN ISO 1179-2

Mechanical data

Weight [g]	7.65
Inside diameter [mm]	18
Outer diameter [mm]	23
Material	FKM

Remarks

Pack quantity 1 pcs.