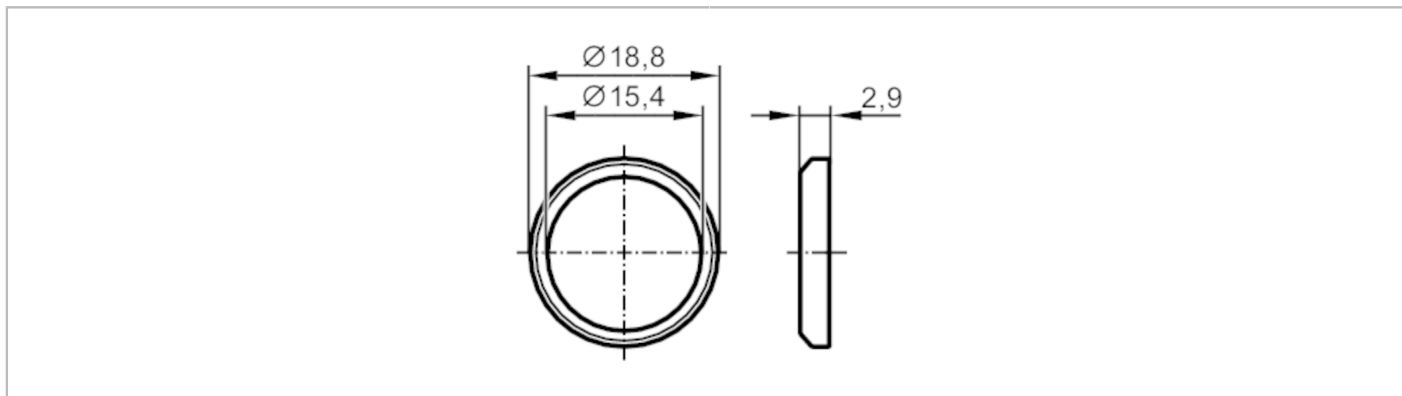


E30459



Gasket

PEEK SEAL



ACS EC 1935/2004 EHEDG Certified FCM FDA Reg31

Application

Design for G1/2 thread connection with sealing cone

Mechanical data

Weight	[g]	5.4
Inside diameter	[mm]	15.4
Outer diameter	[mm]	18.8
Material		PEEK, FDA compliant

Remarks

Pack quantity 1 pcs.