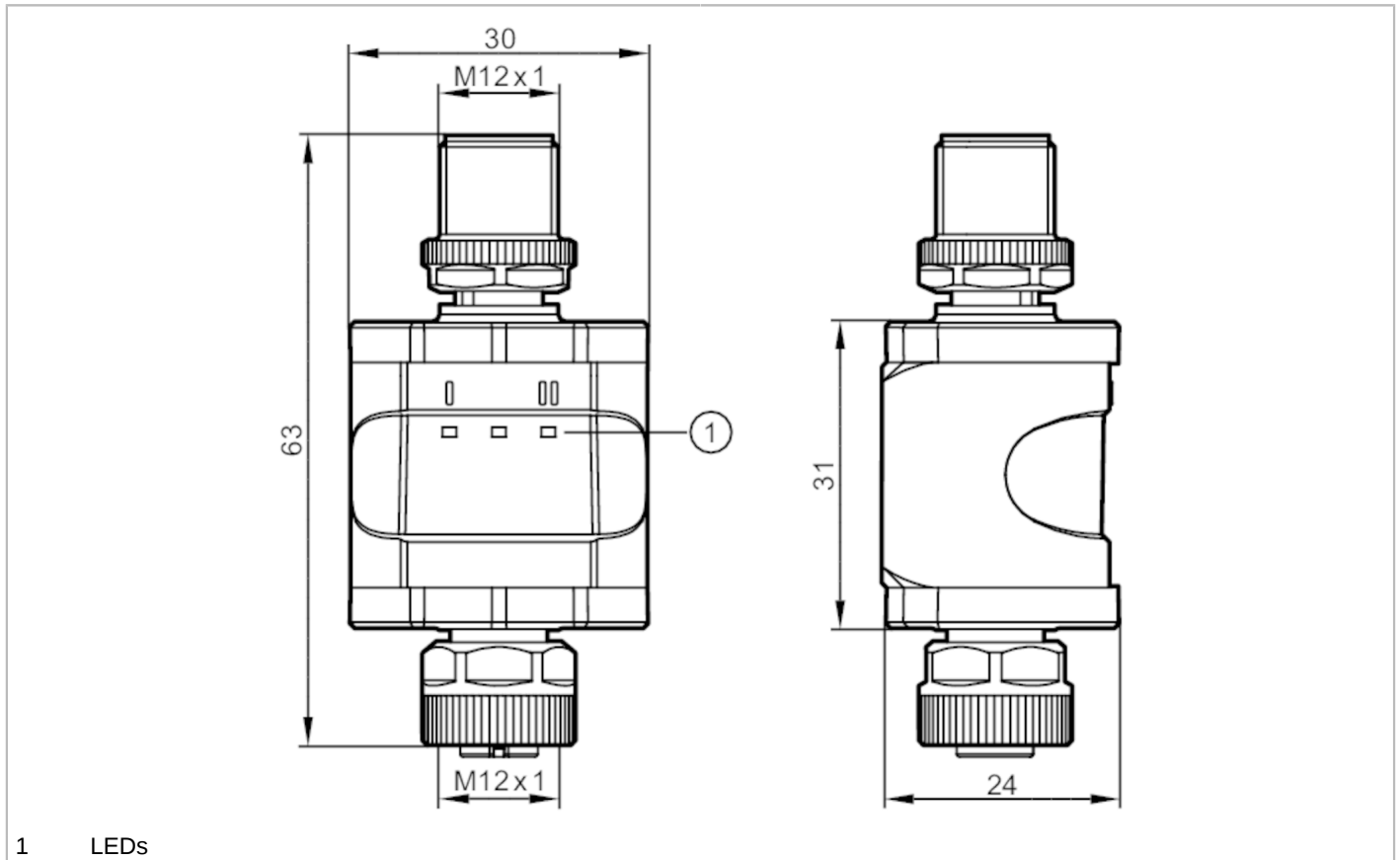


# E30446



## IO-Link Bluetooth adapter

IO-LINK INLINE BLUETOOTH ADAPTER



1 LEDs



Application	
System	gold-plated contacts
Radio approval for	USA; Canada; EU/RED; Australia; Japan; Namibia; Brazil; China; India; Singapore; Mexico; South Africa; Malaysia; Vietnam; Chile; Thailand; Taiwan; South Korea; Indonesia; Argentina
Note on radio approval	The list of countries applying the European Radio Equipment Directive 2014/53/EU (RED) can be found under "Downloads".
Electrical data	
Operating voltage [V]	18...30 DC
Nominal voltage DC [V]	24
Current consumption [mA]	30...830; (24 V DC, full load)
Protection class	III
Reverse polarity protection	yes
Software / programming	
Parameter setting options	process value recording
Interfaces	
Communication interface	IO-Link; Bluetooth
Bluetooth	
Transmission standard	BLE 4.0; BLE 4.1; BLE 4.2; EDR 2.0; EDR 2.1
Frequency band	2,4 - 2,482 GHZ
Transmission power [mW]	10; (10 dBm)

# E30446



## IO-Link Bluetooth adapter

IO-LINK INLINE BLUETOOTH ADAPTER

Range	typ. 20 m
<b>IO-Link Device</b>	
Transmission type	COM1 (4,8 kBaud); COM2 (38,4 kBaud); COM3 (230,4 kBaud)
IO-Link revision	1.0; 1.1
SDCI standard	IEC 61131-9
Required master port class	A

<b>Operating conditions</b>	
Ambient temperature [°C]	-25...60
Storage temperature [°C]	-25...70
Protection	IP 67

<b>Tests / approvals</b>		
EMC	DIN EN 61000-6-2	
	DIN EN 61000-6-4	
Shock resistance	DIN EN 60068-2-27	15 g (6 ms)
Vibration resistance	DIN EN 60068-2-6	2 g (10...150 Hz)
MTTF [years]		285
UL approval	Ta	max. 55 °C
	File number UL	E205959

<b>Mechanical data</b>		
Weight [g]		88.5
Dimensions [mm]		63 x 30 x 24
Material	stainless steel (1.4404 / 316L); brass (2.0401); PA; PBT; FKM; sealing: FKM;	

<b>Displays / operating elements</b>		
Display	Power	1 x LED, green
	IO-Link	1 x LED, yellow
	Bluetooth	1 x LED, blue

<b>Remarks</b>		
Remarks	the device complies with overvoltage category II	
Pack quantity	1 pcs.	

### Electrical connection

#### Electrical connection - plug

Connector: 1 x M12; coding: A; Contacts: gold-plated



1	L+ supply
2	OUT2
3	L- supply
4	OUT1

# E30446



## IO-Link Bluetooth adapter

IO-LINK INLINE BLUETOOTH ADAPTER

### Electrical connection - Socket

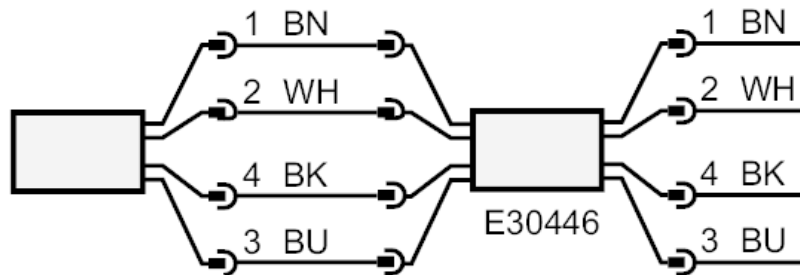
Connector: 1 x M12; coding: A; Contacts: gold-plated



1	L+ supply
2	OUT2
3	L- supply
4	OUT1

### Electrical connection

#### Connection



OUT1: IO-Link  
Colors to DIN EN 60947-5-2  
Core colors :

BK = black  
BN = brown  
BU = blue  
WH = white