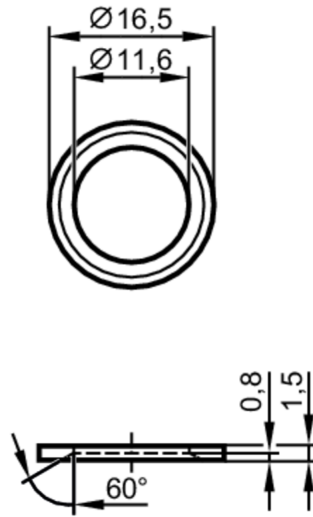


# E30442



## Gasket

SEAL RING EPDM G1/4



### KTW/W270 Reg31

Application	
Design	for units with process connection G ¼ A
Operating conditions	
Ambient temperature [°C]	-40...130
Tests / approvals	
Standard	DIN 3869
Mechanical data	
Weight [g]	3.2
Inside diameter [mm]	11.6
Outer diameter [mm]	16.5
Material	EPDM
Remarks	
Pack quantity	10 pcs.