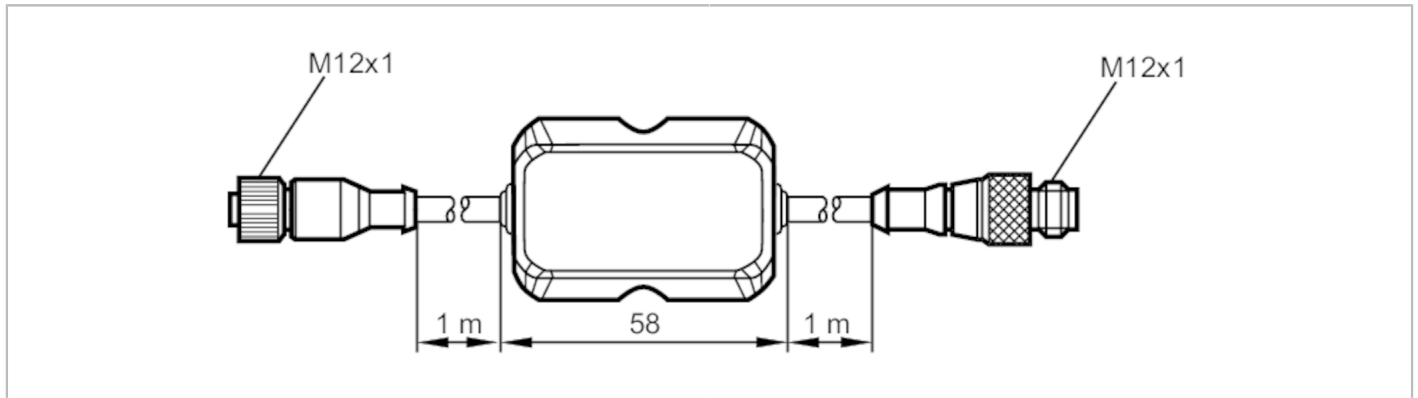


E30406



Voltage converter

VOLTAGE CONVERTER



Electrical data		
Nominal voltage DC	[V]	9...27
Current consumption	[mA]	< 500; (sensor: 24 VDC, max. 125 mA)
Protection class		III
Reverse polarity protection		yes
Number of output circuits		1
Outputs		
Output voltage	[V]	24
Short-circuit protection		yes
Operating conditions		
Ambient temperature	[°C]	-25...70
Protection		IP 40
Tests / approvals		
EMC	EN 61000-4-2 ESD	4 kV CD / 15 kV AD
	EN 61000-4-3 HF radiated	30 V/m (80...1000 MHz)
	EN 61000-4-4 Burst	2 kV coupling clamp
	EN 61000-4-6 HF conducted	10 V (0,15...80 MHz)
Mechanical data		
Weight	[g]	151
Housing		rectangular
Dimensions	[mm]	58 x 36 x 14.4
Material		PBT-GF20
Sealing material		FKM
Remarks		
Pack quantity		1 pcs.
Electrical connection - Socket		
Cable: 1 m, PUR		
Connector: 1 x M12; Moulded body: TPU (urethane), orange; Locking: brass, nickel-plated; sealing: FKM		

E30406

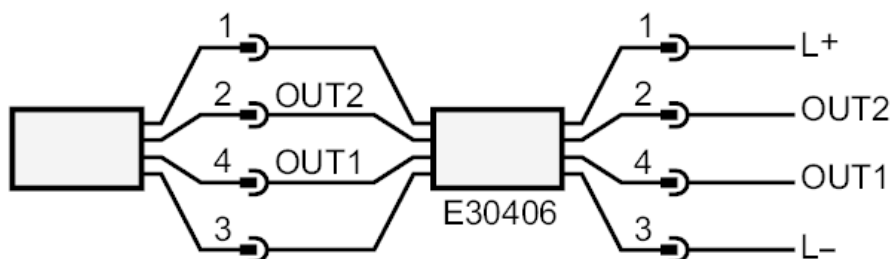


Voltage converter

VOLTAGE CONVERTER

Electrical connection

Connection



Electrical connection - plug

Cable: 1 m, PUR

Connector: 1 x M12; Moulded body: TPU (urethane), orange; Locking: brass, nickel-plated; sealing: FKM