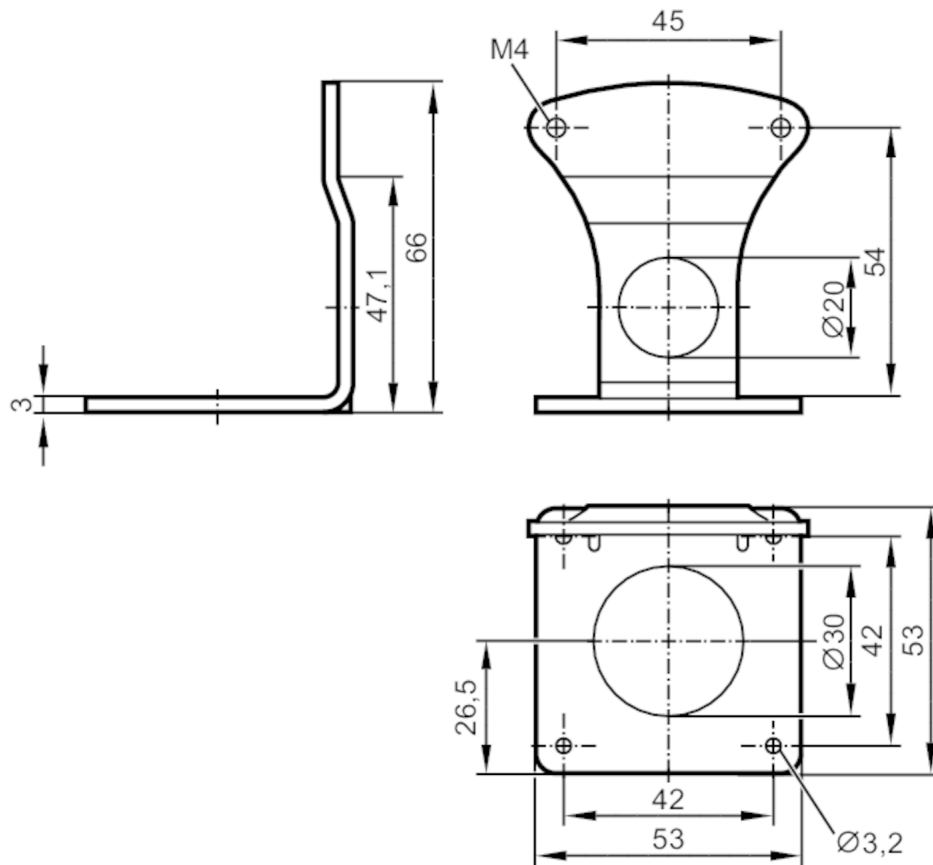


# E2D117



## Mounting set for illumination unit

MOUNTING SET DOME LIGHT



### Application

Design

for types O2D

### Mechanical data

Weight [g]

186.5

Type of mounting

Mounting rod; 12 mm

Material

fixture: stainless steel (1.4305 / 303)

### Accessories

Items supplied

screws: 4

### Remarks

Pack quantity

1 pcs.