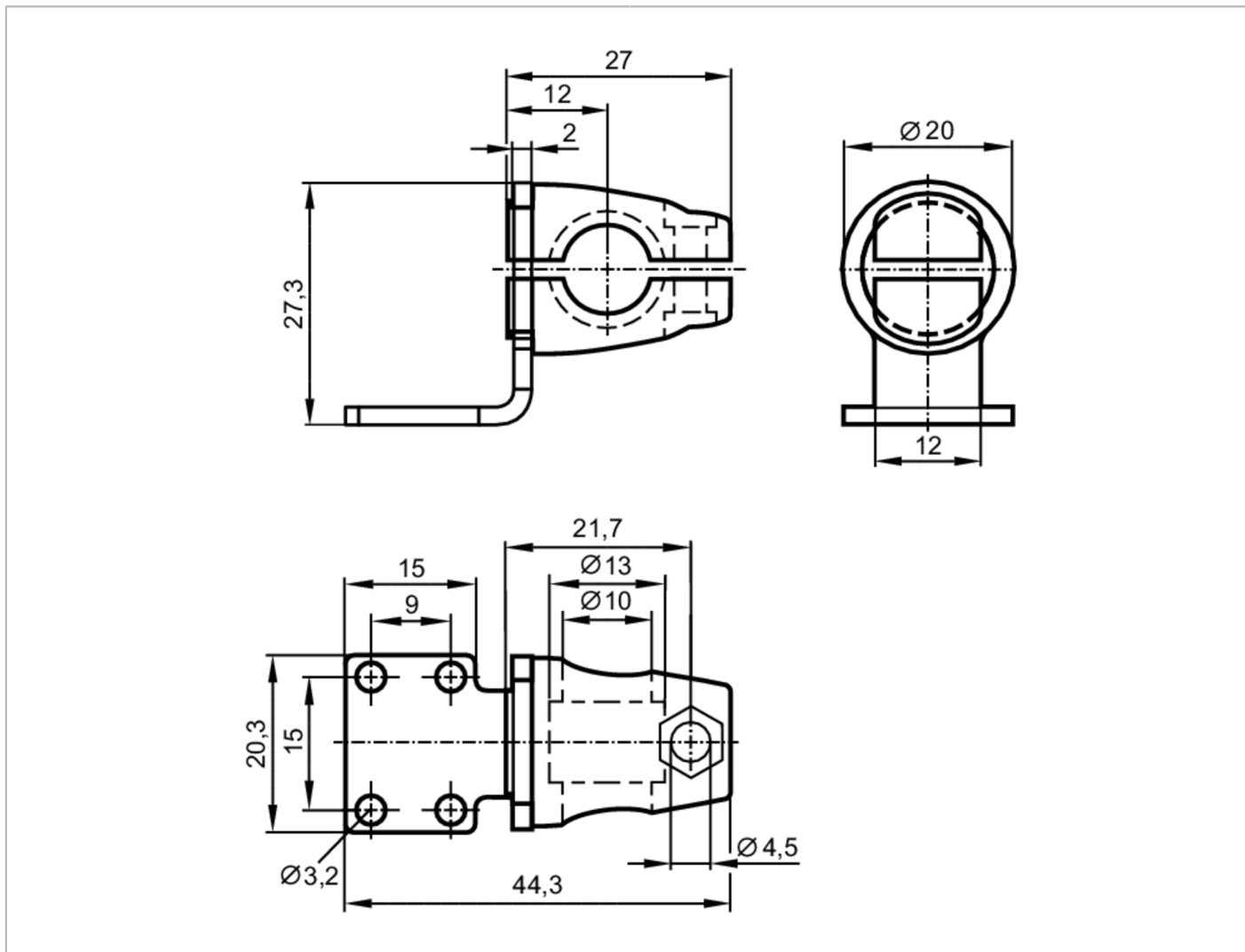


E21237



Mounting set for position sensors

CLAMP AND BRACKET



Application	
Design	Clamp mounting, for types, O7
Mechanical data	
Weight [g]	47
Type of mounting	Mounting rod; (Ø 10 mm)
Dimensions [mm]	27.3 x 20 x 44.3
Material	fixture: stainless steel; Clamp: stainless steel; screw: stainless steel; Nut: stainless steel
Accessories	
Items supplied	head cap screw: 1 x (M4 x 12 mm) Nut: 1 x (M4)
Remarks	
Pack quantity	1 pcs.