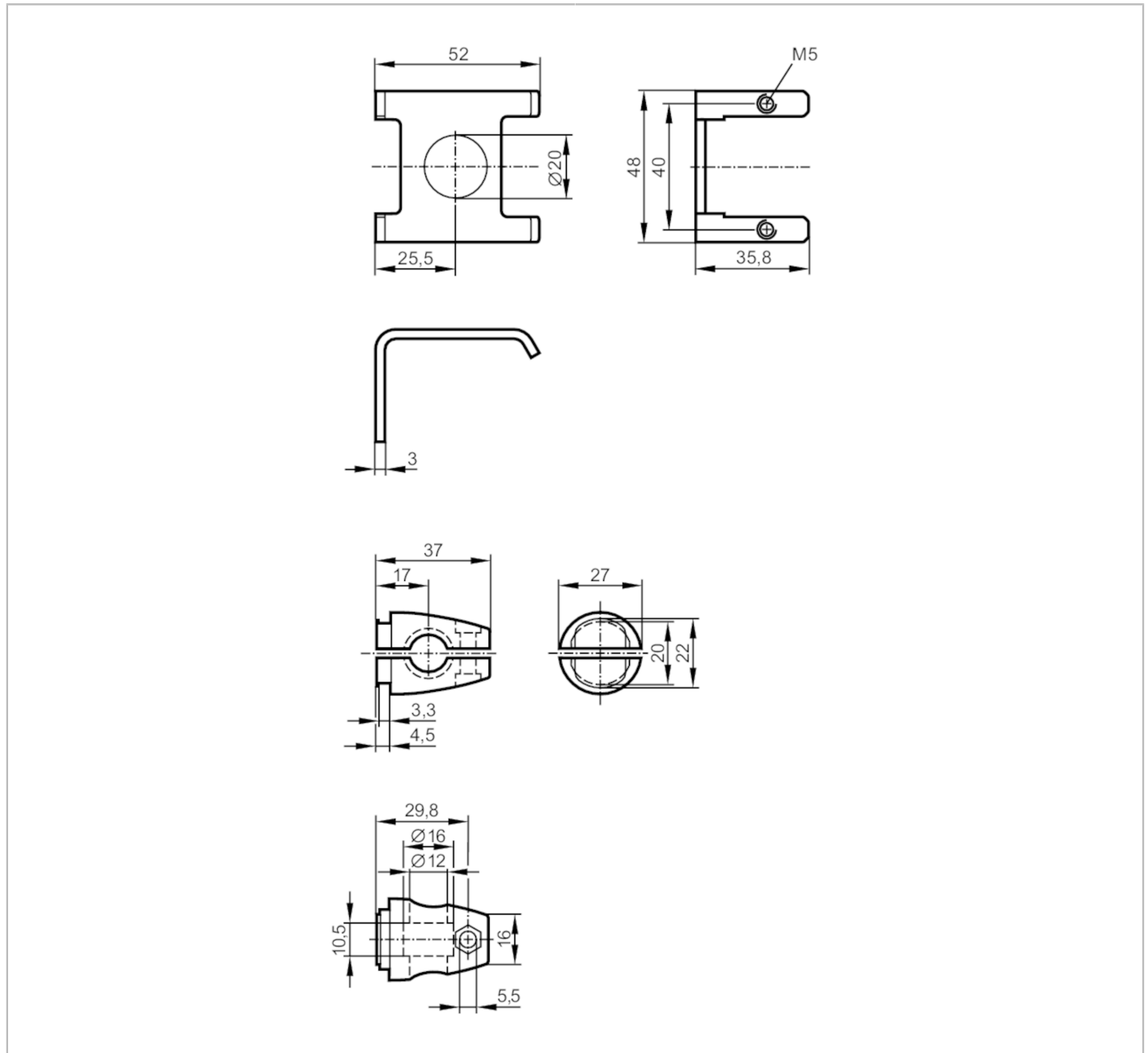


# E21217



## Mounting set for photoelectric sensors

O4 MOUNTING BRACKET 200



Application	
Design	Clamp mounting
Mechanical data	
Weight [g]	131
Type of mounting	Mounting rod; (Ø 12 mm)
Material	stainless steel (1.4404 / 316L); Clamp: diecast zinc
Accessories	
Items supplied	cylinder screws: 2 x (M5 x 10 mm) Nut: 1 x M5 head cap screw: 1 x (M5 x 16 mm)
Remarks	
Pack quantity	1 pcs.