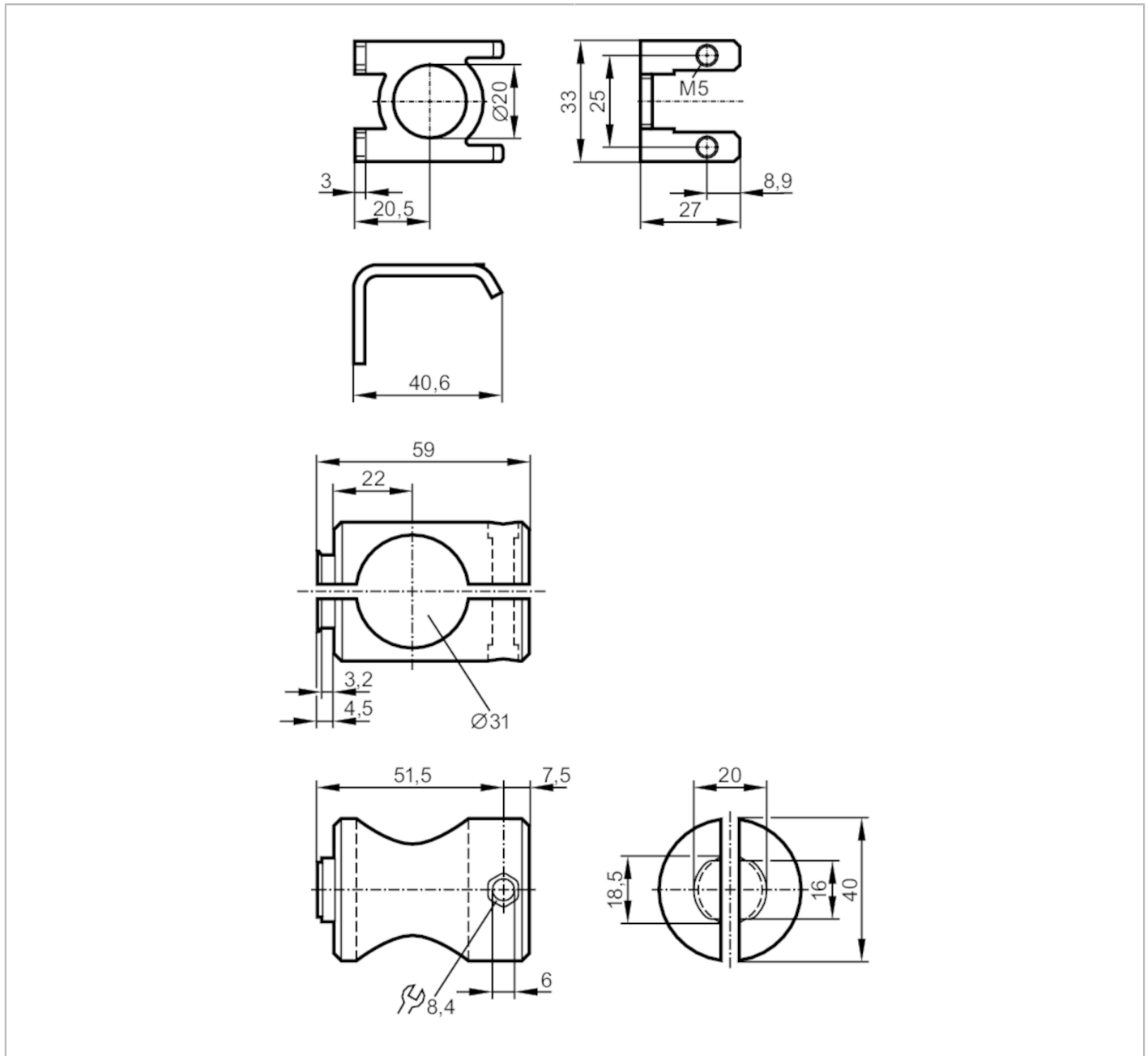


E21128



Mounting set for photoelectric sensors

O5 MOUNTING BRACKET



Application	
Design	Clamp mounting
Mechanical data	
Weight [g]	153.5
Type of mounting	Mounting rod; (Ø 30 mm)
Material	fixture: stainless steel (1.4571/316Ti); Clamp: aluminum transparent anodized; screw: stainless steel; Nut: stainless steel
Accessories	
Items supplied	socket head screws: 1 x (M5 x 40 mm) socket head screws: 2 x (M5 x 8 mm)
Remarks	
Pack quantity	1 pcs.