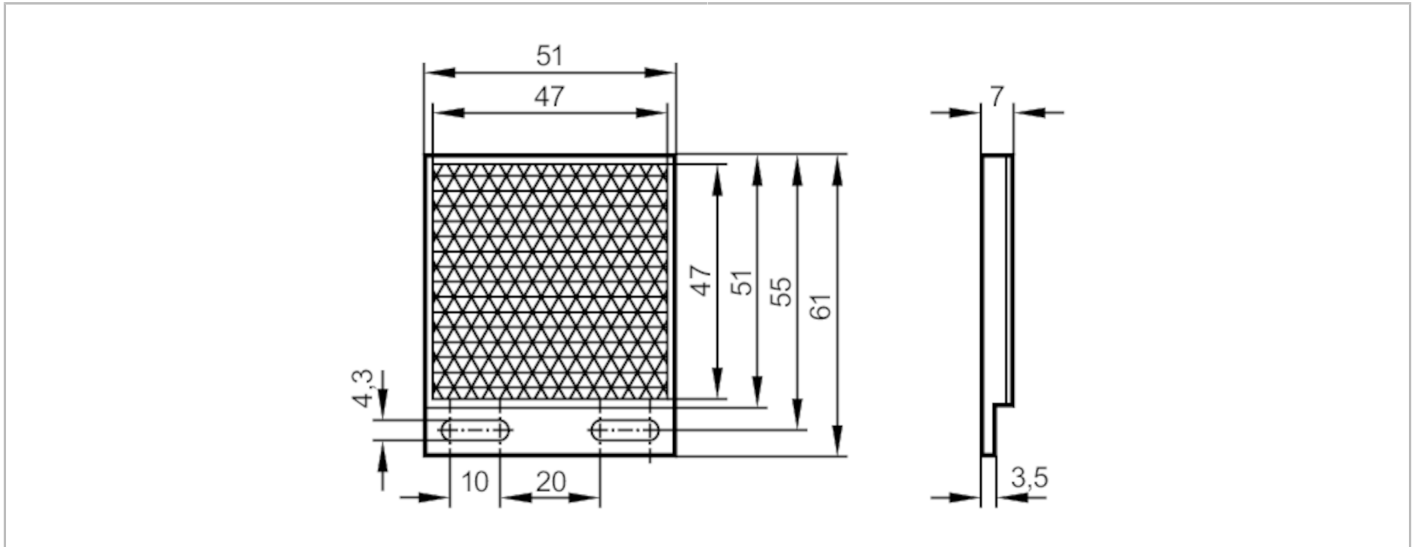


E20722



Reflector for retro-reflective laser sensors

REFLECTOR LASER TS-48X48



Application	
Design	rectangular, for retro-reflective laser sensors and glass and film detection
Operating conditions	
Ambient temperature	[°C] -10...60
Mechanical data	
Weight	[g] 13.9
Dimensions	[mm] 61 x 51 x 7
Reflector surface	[mm] 47 x 47
Material	plastics
Remarks	
Pack quantity	1 pcs.