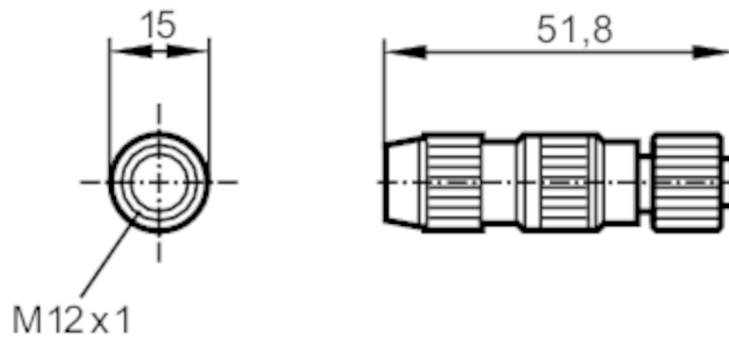


E18059



Female wirable connectors

SDOGH040MSSFKPG



Electrical data

Operating voltage [V] < 250 DC

Operating conditions

Ambient temperature [°C] -25...85

Protection IP 68

Mechanical data

Weight [g] 22.68

Dimensions [mm] 15 x 15 x 51.8

Molded-body material PA 6.6

Material nut brass, nickel-plated

Remarks

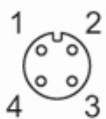
Pack quantity 1 pcs.

Electrical connection

insulation displacement technology: 0.14...0.34 mm²; Core insulation: PVC / PETP; (Ø 1.0...1.55 mm); Cable sheath: Ø 4...5 mm

Electrical connection - Socket

Connector: 1 x M12, straight; coding: A; Moulded body: PA 6.6; Locking: brass, nickel-plated



E18059



Female wirable connectors

SDOGH040MSSFKPG

Connection

