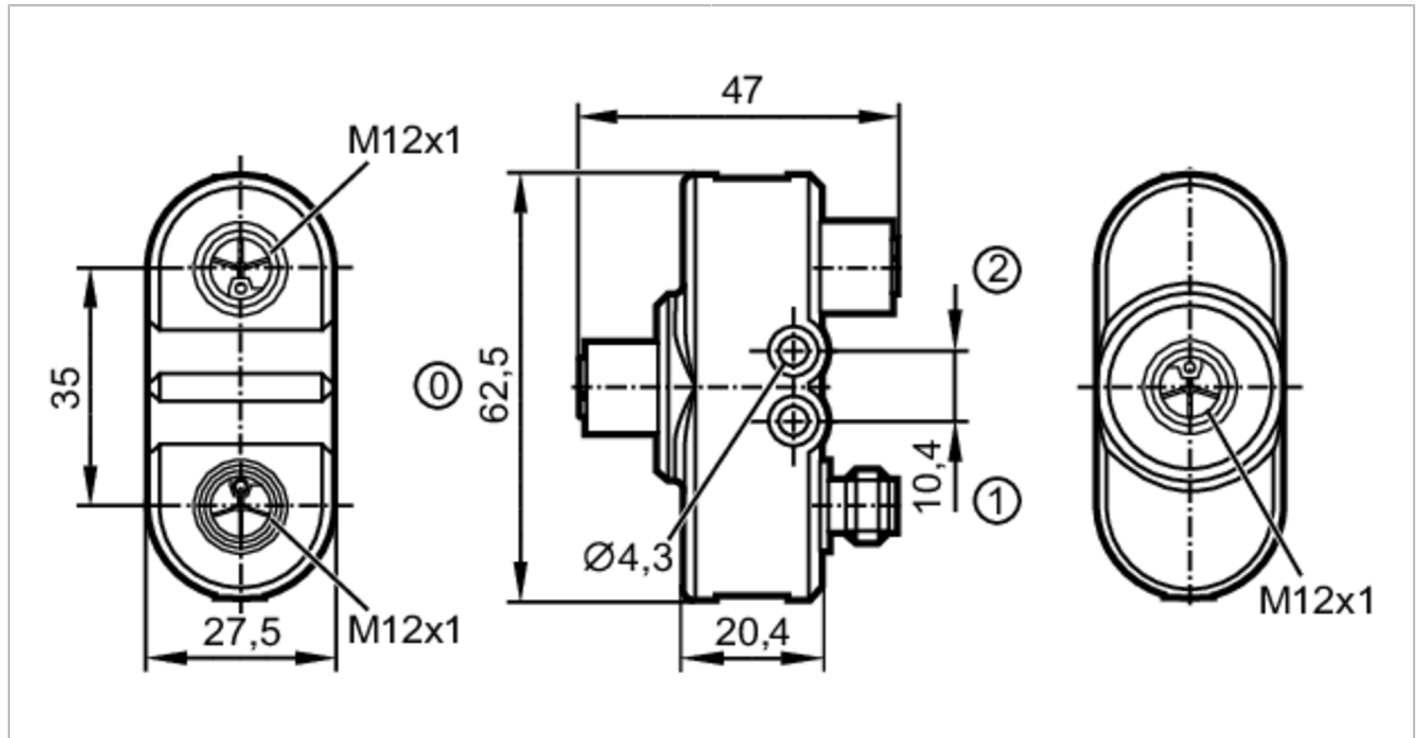


E12787



Y/T splitter

ZDO2E030MSS0000-00STGE030MSS



Application	
System	gold-plated contacts
Application	actuator supply (UA) branching
Electrical data	
Operating voltage [V]	< 63 DC
Protection class	III
Max. current load total [A]	16; (40 °C)
Operating conditions	
Ambient temperature [°C]	-40...85
Protection	IP 65
Mechanical data	
Weight [g]	99.35
Molded-body material	PBT
Material nut	brass, nickel-plated
Sealing material	HNBR
Accessories	
Items supplied	labels: 2
Remarks	
Pack quantity	1 pcs.

E12787



Y/T splitter

ZDO2E030MSS0000-00STGE030MSS

Electrical connection - Socket

Connector: 2 x M12; coding: L; Moulded body: PBT, black; Locking: brass, nickel-plated; sealing: HNBR; Contacts: gold-plated



Electrical connection - plug

Connector: 1 x M12; coding: L; Moulded body: PBT, black; Locking: brass, nickel-plated; Contacts: gold-plated



Connection

