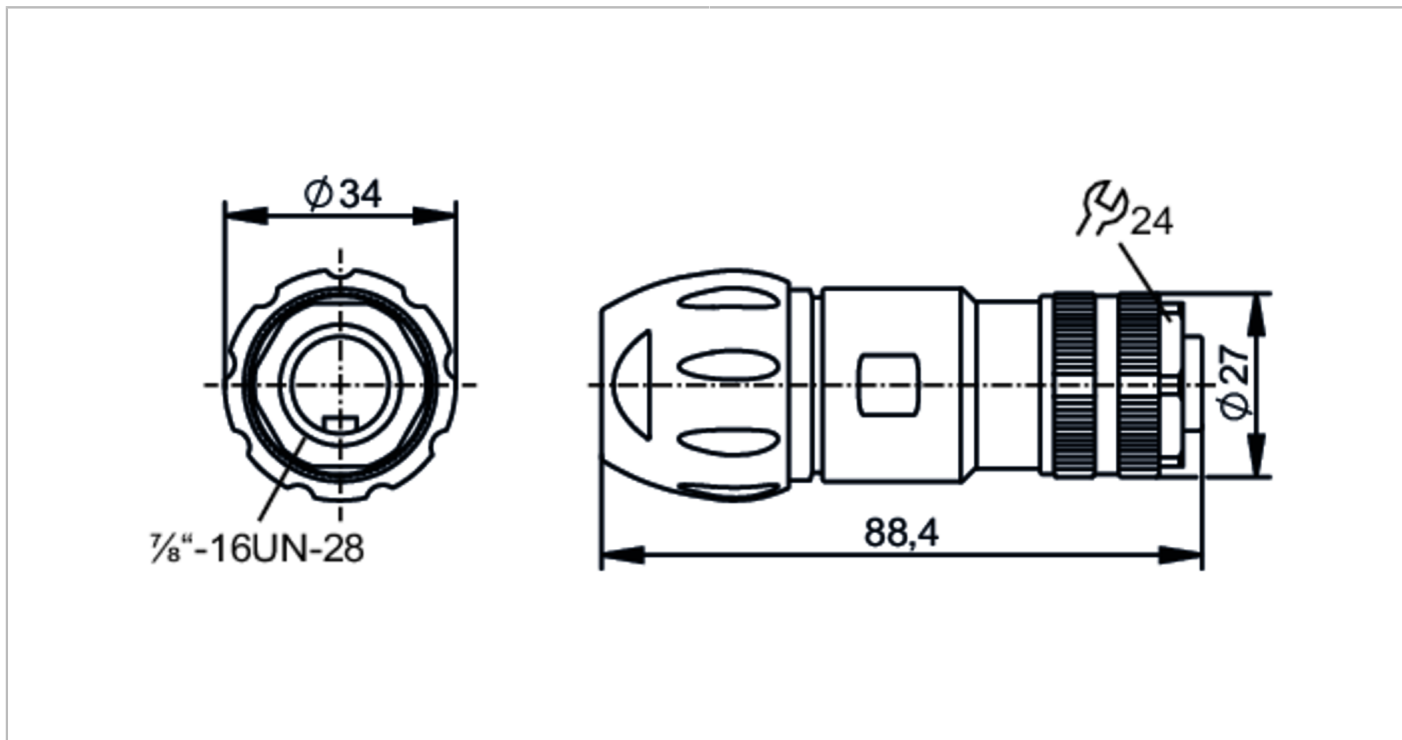


# E12774



## Female wirable connectors

SDOGB050ZDSFKPG



Application	
System	Free from silicone; gold-plated contacts
Free from silicone	yes
Electrical data	
Operating voltage [V]	< 400 AC/DC
Protection class	II
Max. current load total [A]	9
Operating conditions	
Ambient temperature [°C]	-25...85
Protection	IP 67
Mechanical data	
Weight [g]	48.808
Molded-body material	PA; PUR
Material nut	diecast zinc, nickel-plated
Sealing material	NBR
Remarks	
Pack quantity	1 pcs.

# E12774



## Female wirable connectors

SDOGB050ZDSFKPG

### Electrical connection

screw terminals: ...1.5 mm<sup>2</sup>; Cable sheath: Ø 7...13 mm; AWG 16

### Electrical connection - Socket

Connector: 1 x 7/8", straight; Moulded body: PA; PUR; Locking: diecast zinc, nickel-plated; sealing: NBR; Contacts: gold-plated



### Connection

