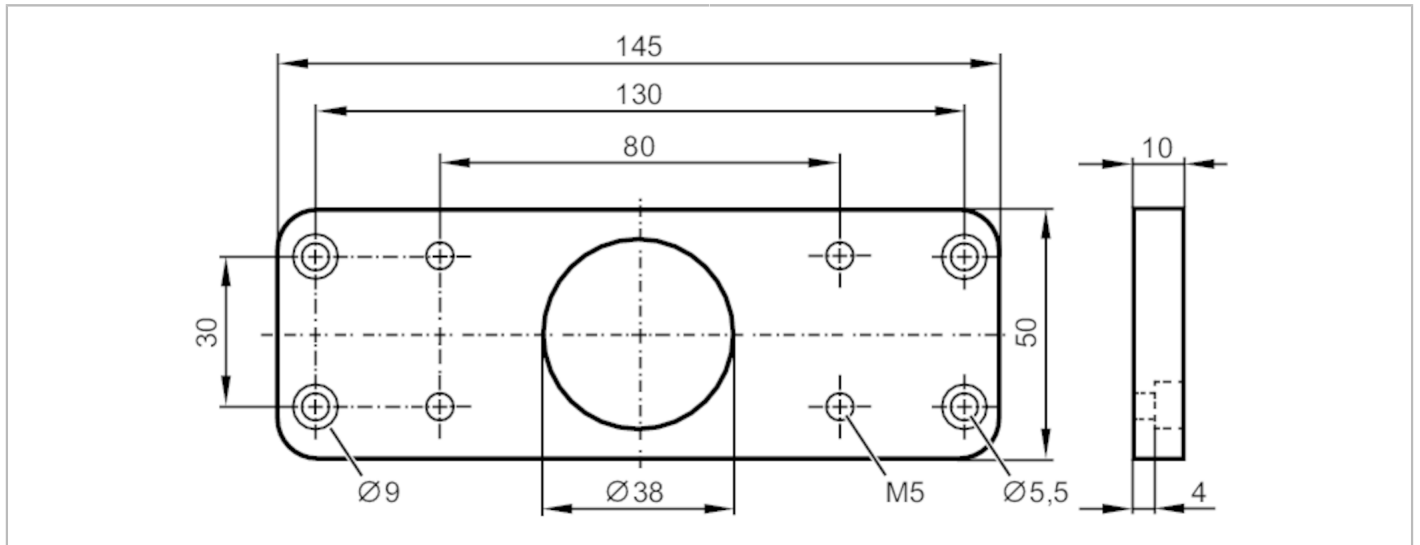


# E12573



## Mounting plate

ADAPTER 130X30X10



### Application

Design for types MVQ

### Mechanical data

Weight [g]	99.9
Dimensions [mm]	10 x 145 x 50
Hole spacing for mounting bracket	130 x 30 mm
Shaft height for valve drive	30 mm
Suitable for shaft diameters [mm]	< 38
Material	POM black

### Accessories

Items supplied socket head screws: 4 x (M5 x 16 mm), stainless steel

### Remarks

Pack quantity 1 pcs.