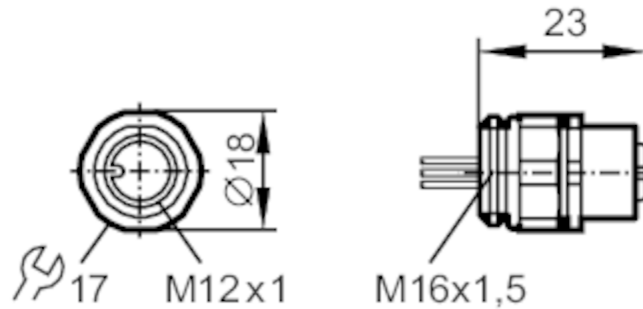


E12408



Female receptacle

EDOGH050MSS00,5E05 (M16)



Electrical data

Operating voltage [V] < 125 AC/DC

Operating conditions

Ambient temperature [°C] -25...85

Protection IP 68

Mechanical data

Weight [g] 23.6

Mounting thread M16

Material housing: diecast zinc nickel-plated

Accessories

Items supplied Nut: 1 x M16

Remarks

Pack quantity 1 pcs.

E12408



Female receptacle

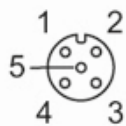
EDOGH050MSS00,5E05 (M16)

Electrical connection

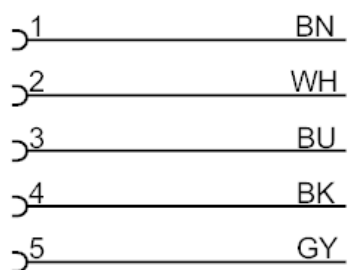
Cable: 0.5 m, PVC; 5 x 0.25 mm²

Electrical connection - Socket

Connector: 1 x M12, straight; coding: A



Connection



Core colors :

BK =	black
BN =	brown
BU =	blue
GY =	grey
WH =	white