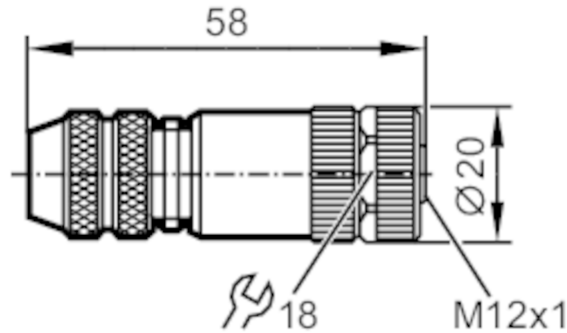


E12354



Female wirable connectors

SDOGH040MSSFKSG



| Application | |
|-----------------------------|--|
| System | Free from silicone; gold-plated contacts |
| Design | Ethernet cable, D-coded |
| Free from silicone | yes |
| Electrical data | |
| Operating voltage [V] | < 45 AC / < 70 DC |
| Max. current load total [A] | 4; (...40 °C) |
| Operating conditions | |
| Ambient temperature [°C] | -40...85 |
| Protection | IP 67 |
| Mechanical data | |
| Weight [g] | 46.7 |
| Dimensions [mm] | 20 x 20 x 58 |
| Molded-body material | diecast zinc, nickel-plated |
| Material nut | diecast zinc, nickel-plated |
| Remarks | |
| Pack quantity | 1 pcs. |

E12354



Female wirable connectors

SDOGH040MSSFKSG

Electrical connection

screw terminals: ...0.75 mm²; Cable sheath: Ø 6...8 mm

Electrical connection - Socket

Connector: 1 x M12, straight; coding: D; Moulded body: diecast zinc, nickel-plated; Locking: diecast zinc, nickel-plated; Contacts: gold-plated; Shielded connection cable: shieldable



Connection

