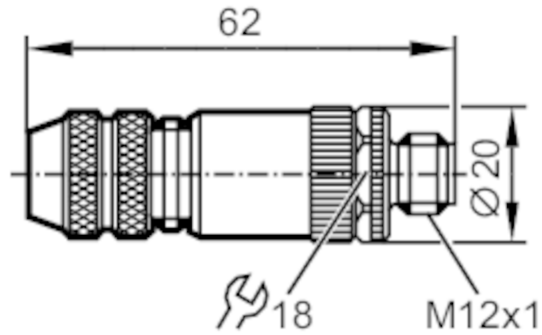


# E12289



## Wirable plug

SSTGN040ZDSFKSG



Application	
System	Free from silicone; gold-plated contacts
Design	Ethernet cable, D-coded
Free from silicone	yes
Electrical data	
Operating voltage [V]	< 45 AC / < 70 DC
Max. current load total [A]	4; (...40 °C)
Operating conditions	
Ambient temperature [°C]	-25...85
Protection	IP 67
Mechanical data	
Weight [g]	44.6
Dimensions [mm]	20.2 x 20.2 x 63
Molded-body material	diecast zinc, nickel-plated
Material nut	diecast zinc, nickel-plated
Remarks	
Pack quantity	1 pcs.

# E12289



## Wirable plug

SSTGN040ZDSFKSG

### Electrical connection

screw terminals: ...0.75 mm<sup>2</sup>; Cable sheath: Ø 6...8 mm; AWG 18

### Electrical connection - plug

Connector: 1 x M12, straight; coding: D; Moulded body: diecast zinc, nickel-plated; Locking: diecast zinc, nickel-plated; Contacts: gold-plated; Shielded connection cable: shieldable



### Connection

