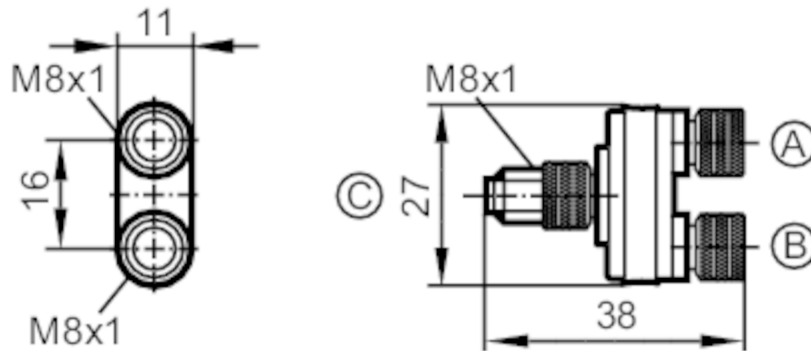


# E12269



## Y/T splitter

ZDO2F030MSS0000-00STGF040MSS



### Application

System	Free from silicone; gold-plated contacts
Free from silicone	yes

### Electrical data

Operating voltage	[V]	< 30 AC/DC
Protection class		III
Max. current load per module/slot	[A]	3
Max. current load total	[A]	3

### Operating conditions

Ambient temperature	[°C]	-25...90
Protection		IP 68

### Mechanical data

Weight	[g]	15.7
Dimensions	[mm]	11 x 27 x 38
Molded-body material		PUR
Material nut		brass, nickel-plated
Number of ports splitter box		2
Connector type		M8

### Remarks

Pack quantity	1 pcs.
---------------	--------

# E12269



## Y/T splitter

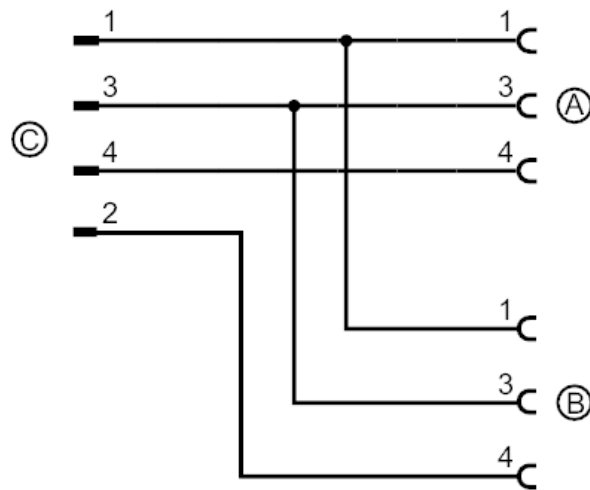
ZDO2F030MSS0000-00STGF040MSS

### Electrical connection - plug C

Connector: 1 x M8; coding: A; Moulded body: PUR; Locking: brass, nickel-plated; Contacts: gold-plated



### Connection



### Electrical connection - Socket A/B

Connector: 2 x M8; coding: A; Moulded body: PUR; Locking: brass, nickel-plated; Contacts: gold-plated

