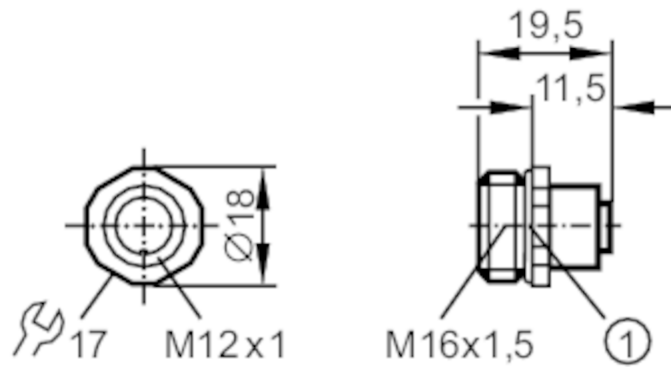


# E11917



## Female receptacle

EDOGH050MSS00,7E05(M16)



1 O-ring



### Electrical data

Operating voltage [V] < 125 AC/DC

### Operating conditions

Ambient temperature [°C] -25...85

Protection IP 68

### Mechanical data

Weight [g] 25.1

Mounting thread M16

Material housing: diecast zinc nickel-plated

### Remarks

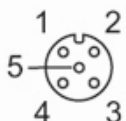
Pack quantity 1 pcs.

### Electrical connection

Cable: 0.7 m, PVC; 4 x 0.25 mm<sup>2</sup> + 1 x 0.5 mm<sup>2</sup>

### Electrical connection - Socket

Connector: 1 x M12; coding: A



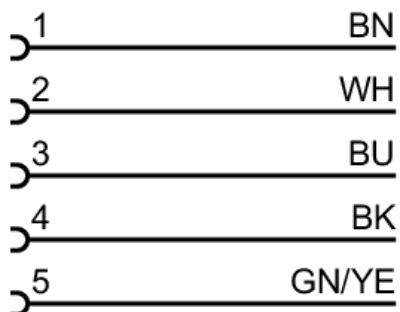
# E11917



## Female receptacle

EDOGH050MSS00,7E05(M16)

### Connection



Core colors :

BK =	black
BN =	brown
BU =	blue
GN/YE =	green/yellow
WH =	white