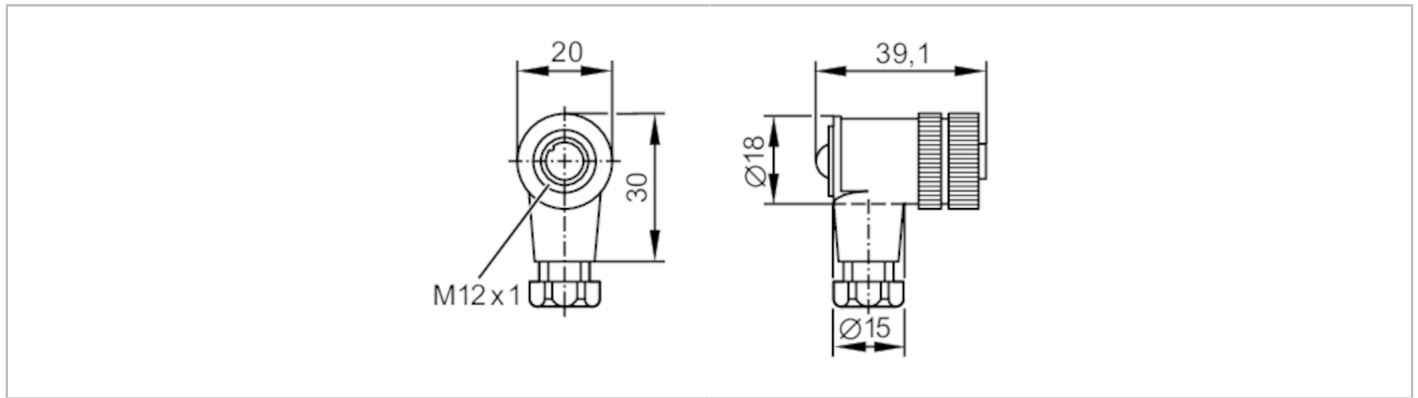


E11764



Female wirable connectors

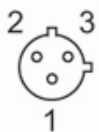
SDOAH030MSSFKPG



Application		
System		Free from silicone; gold-plated contacts
Free from silicone		yes
Electrical data		
Operating voltage	[V]	< 250 AC
Max. current load total	[A]	4; (...40 °C)
Operating conditions		
Ambient temperature	[°C]	-25...85
Protection		IP 67
Mechanical data		
Weight	[g]	27.8
Dimensions	[mm]	39.1 x 20 x 30
Molded-body material		PA
Material nut		brass, nickel-plated
Remarks		
Pack quantity		1 pcs.

Electrical connection
 screw terminals: ...0.75 mm²; Cable sheath: Ø 4...6 mm

Electrical connection - Socket
 Connector: 1 x M12, angled; coding: C; Moulded body: PA; Locking: brass, nickel-plated; Contacts: gold-plated



E11764



Female wirable connectors

SDOAH030MSSFKPG

Connection

