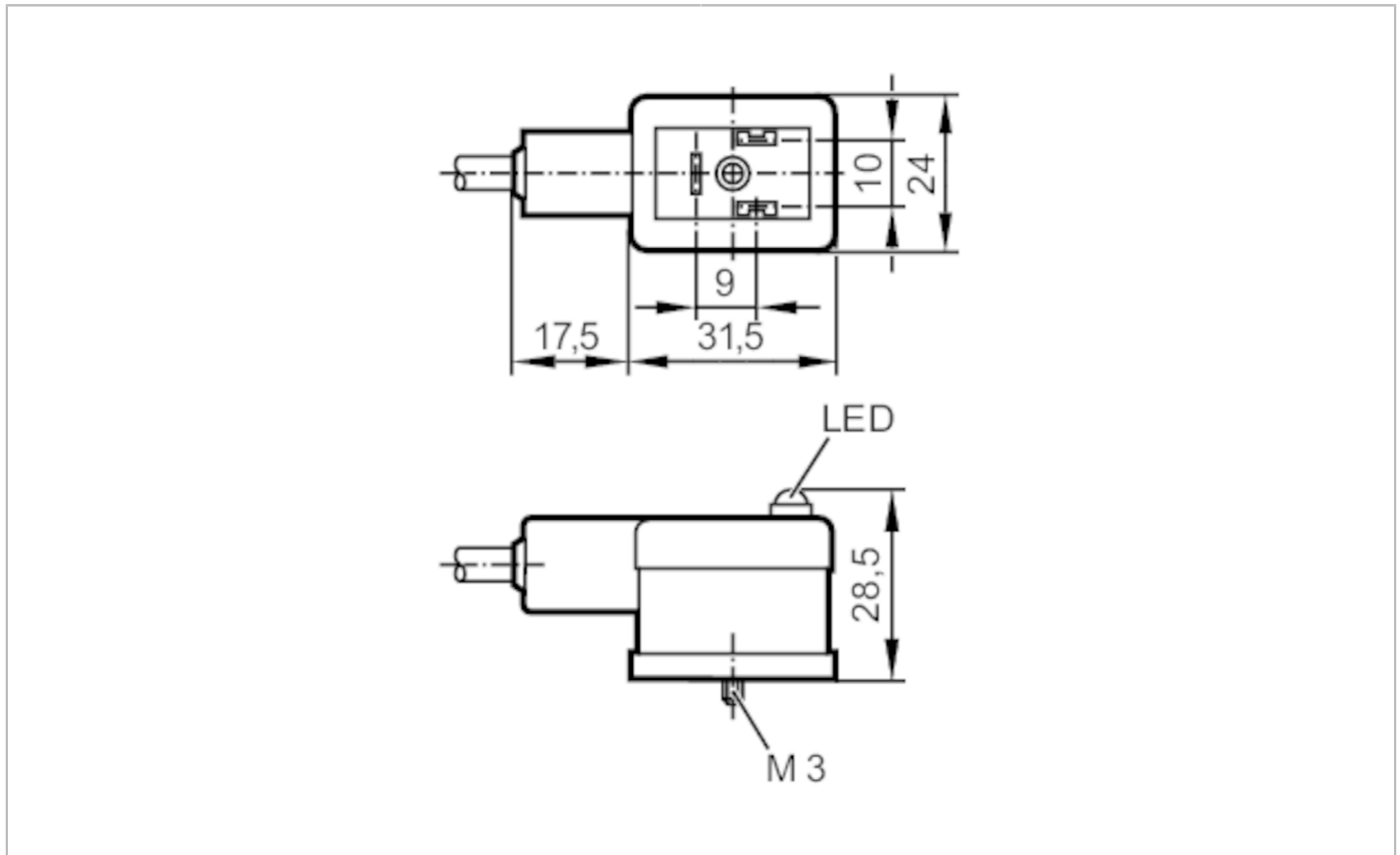


E11652



Connection cable with valve plug

AVDAB031PLS0005H03



Application		
System		Free from silicone; Halogen-free
Application		Industrial applications
Free from silicone		yes
Electrical data		
Operating voltage	[V]	< 24 AC/DC
Overvoltage protection		yes; (VDR)
Operating conditions		
Ambient temperature	[°C]	-20...80
Protection		IP 67
Mechanical data		
Weight	[g]	255.8
Dimensions	[mm]	28.5 x 24 x 49
Material		PP; FKM
Molded-body material		PP / FPM
Material nut		brass, nickel-plated
Displays / operating elements		
Display	Switching status	1 x LED, yellow
Remarks		
Pack quantity		1 pcs.

E11652



Connection cable with valve plug

AVDAB031PLS0005H03

Electrical connection

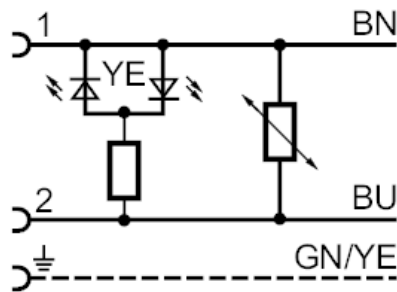
Cable: 5 m, PUR, Halogen-free, Ø 6.6 mm; 3 x 0.5 mm² / AWG 20

Electrical connection - Socket

Connector: 1 x valve type B DIN, angled; Moulded body: PP / FPM; Locking: brass, nickel-plated



Connection



BN = Core colors :
brown
BU = blue
GN/YE = green/yellow