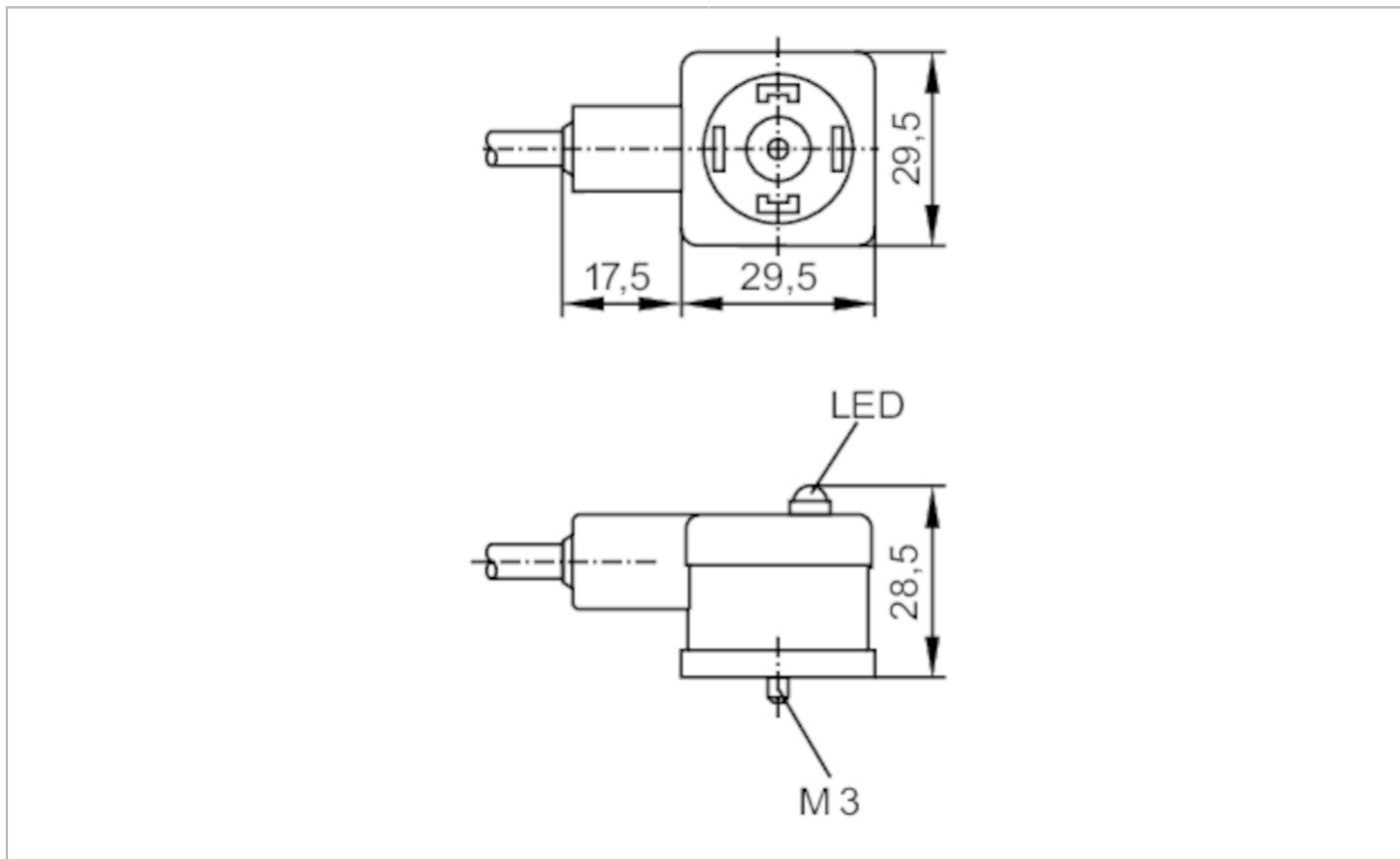


E11651



Connection cable with valve plug

AVDAA031PLS0005H03



| Application | | |
|-------------------------------|------------------|-------------------------|
| System | | Free from silicone |
| Application | | Industrial applications |
| Free from silicone | | yes |
| Electrical data | | |
| Operating voltage | [V] | < 24 AC/DC |
| Overvoltage protection | | yes; (VDR) |
| Max. current load total | [A] | 5 |
| Operating conditions | | |
| Ambient temperature | [°C] | -20...80 |
| Protection | | IP 67 |
| Mechanical data | | |
| Weight | [g] | 256.3 |
| Dimensions | [mm] | 28.5 x 29.5 x 47 |
| Material | | housing: PP; FKM |
| Molded-body material | | PP / FPM |
| Displays / operating elements | | |
| Display | Switching status | 1 x LED, yellow |
| Remarks | | |
| Pack quantity | | 1 pcs. |

E11651



Connection cable with valve plug

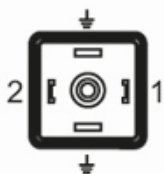
AVDAA031PLS0005H03

Electrical connection

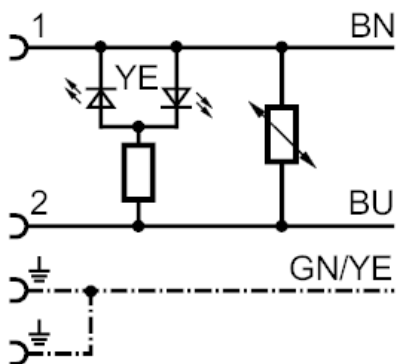
Cable: 5 m, PUR, Ø 6.6 mm; 3 x 0.5 mm² / AWG 20

Electrical connection - Socket

Connector: 1 x valve type A DIN (EN 175301-803), angled; Moulded body: PP / FPM



Connection



BN = Core colors :
brown
BU = blue
GN/YE = green/yellow