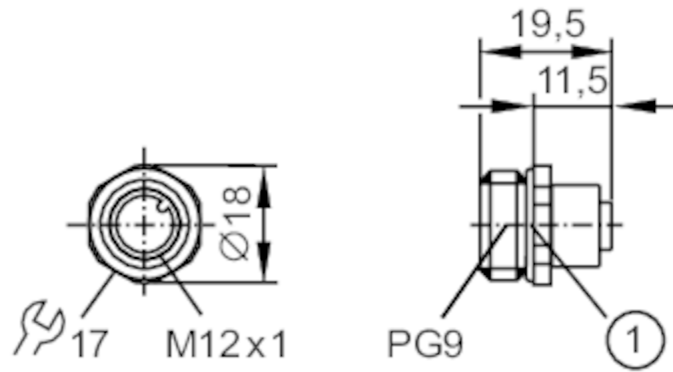


E11601



Female receptacle

EDOGH080MSS00,5E08 (PG9)



1 O-ring



Electrical data

Operating voltage [V] < 30 AC / < 36 DC

Operating conditions

Ambient temperature [°C] -25...90

Protection IP 67

Mechanical data

Weight [g] 33

Mounting thread PG 9

Material housing: brass nickel-plated

Remarks

Pack quantity 1 pcs.

Electrical connection

Cable: 0.5 m, PVC; 8 x 0.25 mm² (14 x Ø 0.15 mm)

Electrical connection - Socket

Connector: 1 x M12, straight; coding: A



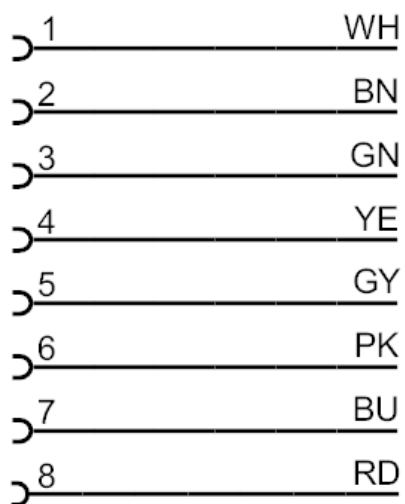
E11601



Female receptacle

EDOGH080MSS00,5E08 (PG9)

Connection



Colors to DIN 47100

BN =	brown
BU =	blue
GN =	green
GY =	grey
PK =	pink
RD =	red
WH =	white
YE =	yellow

Core colors :