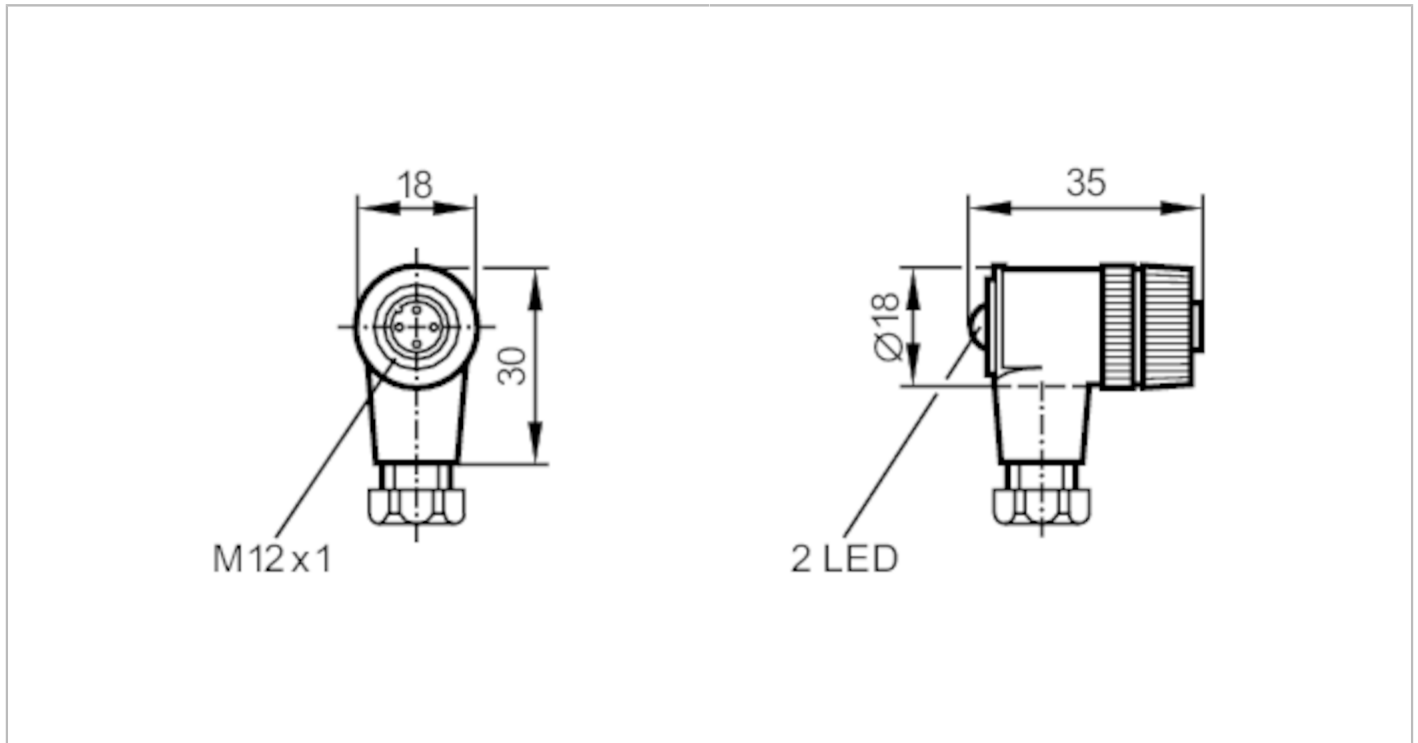


# E11510



## Female wirable connectors

SDOAH042MSSFKPG



Application		
System	Free from silicone; gold-plated contacts	
Free from silicone	yes	
Electrical data		
Operating voltage	[V]	10...30 DC
Max. current load total	[A]	4; (...40 °C)
Outputs		
Electrical design	PNP	
Operating conditions		
Ambient temperature	[°C]	-25...85
Protection	IP 68	
Mechanical data		
Weight	[g]	28.6
Dimensions	[mm]	30 x 18 x 35
Molded-body material	PA	
Material nut	brass, nickel-plated	
Displays / operating elements		
Display	Switching status	1 x LED, yellow
	Power	1 x LED, green
Remarks		
Pack quantity	1 pcs.	

# E11510



## Female wirable connectors

SDOAH042MSSFKPG

### Electrical connection

screw terminals: ...0.75 mm<sup>2</sup>; Cable sheath: Ø 4...6 mm

### Electrical connection - Socket

Connector: 1 x M12, angled; coding: A; Moulded body: PA; Locking: brass, nickel-plated; Contacts: gold-plated



### Connection

