

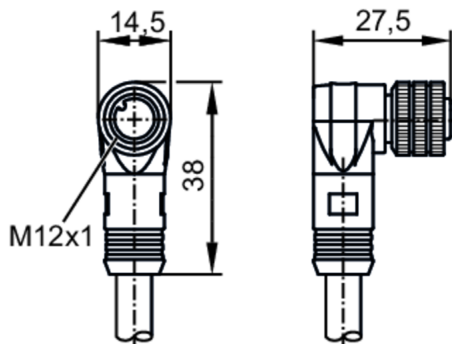
E11232



Female cordset

ADOAH080MSS0005H08

For 8-wire cordsets the core colors are not standardized.
Please note the wiring of the sensor and the cordsets (see data sheet).



Application	
System	Free from silicone; gold-plated contacts
Application	Industrial applications
Free from silicone	yes
Electrical data	
Operating voltage [V]	< 30 AC / < 36 DC
Protection class	III
Max. current load total [A]	2; (...40 °C)
Operating conditions	
Ambient temperature [°C]	-25...80
Protection	IP 67
Mechanical data	
Weight [g]	310.3
Dimensions [mm]	27.5 x 14.5 x 38
Molded-body material	PUR
Material nut	brass, nickel-plated
Remarks	
Pack quantity	1 pcs.

E11232



Female cordset

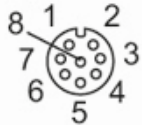
ADOAH080MSS0005H08

Electrical connection

Cable: 5 m, PUR, black, Ø 6.8 mm; 8 x 0.25 mm²

Electrical connection - Socket

Connector: 1 x M12, angled; coding: A; Moulded body: PUR; Locking: brass, nickel-plated; Contacts: gold-plated; Tightening torque: 0.7...0.9 Nm



Connection

1	BN
2	WH
3	BU
4	BK
5	GY
6	PK
7	VT
8	OG

Colors to DIN EN 60947-5-2

Core colors :

BK =	black
BN =	brown
BU =	blue
GY =	grey
PK =	pink
OG =	orange
VT =	lilac
WH =	white