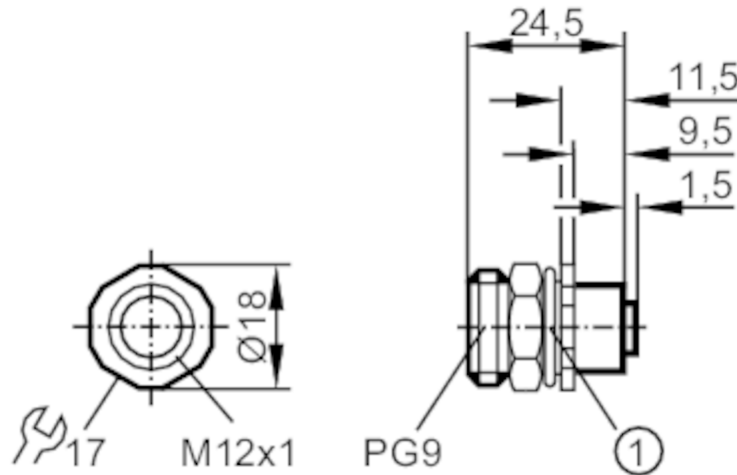


E11067



Female receptacle

EDOGH040ZDS00,5E04 (PG9)



1 O-ring



Electrical data		
Operating voltage	[V]	< 250 AC/DC
Max. current load total	[A]	4
Operating conditions		
Ambient temperature	[°C]	-25...85
Protection		IP 68
Mechanical data		
Weight	[g]	22.8
Mounting thread		PG 9
Material		housing: diecast zinc
Accessories		
Items supplied		Nut: 1 x PG9
Remarks		
Pack quantity		1 pcs.

E11067



Female receptacle

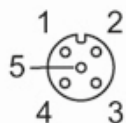
EDOGH040ZDS00,5E04 (PG9)

Electrical connection

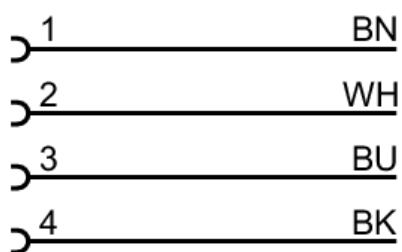
Cable: 0.5 m, PVC; 4 x 0.25 mm²

Electrical connection - Socket

Connector: 1 x M12, straight; coding: A



Connection



Core colors :
BK = black
BN = brown
BU = blue
WH = white