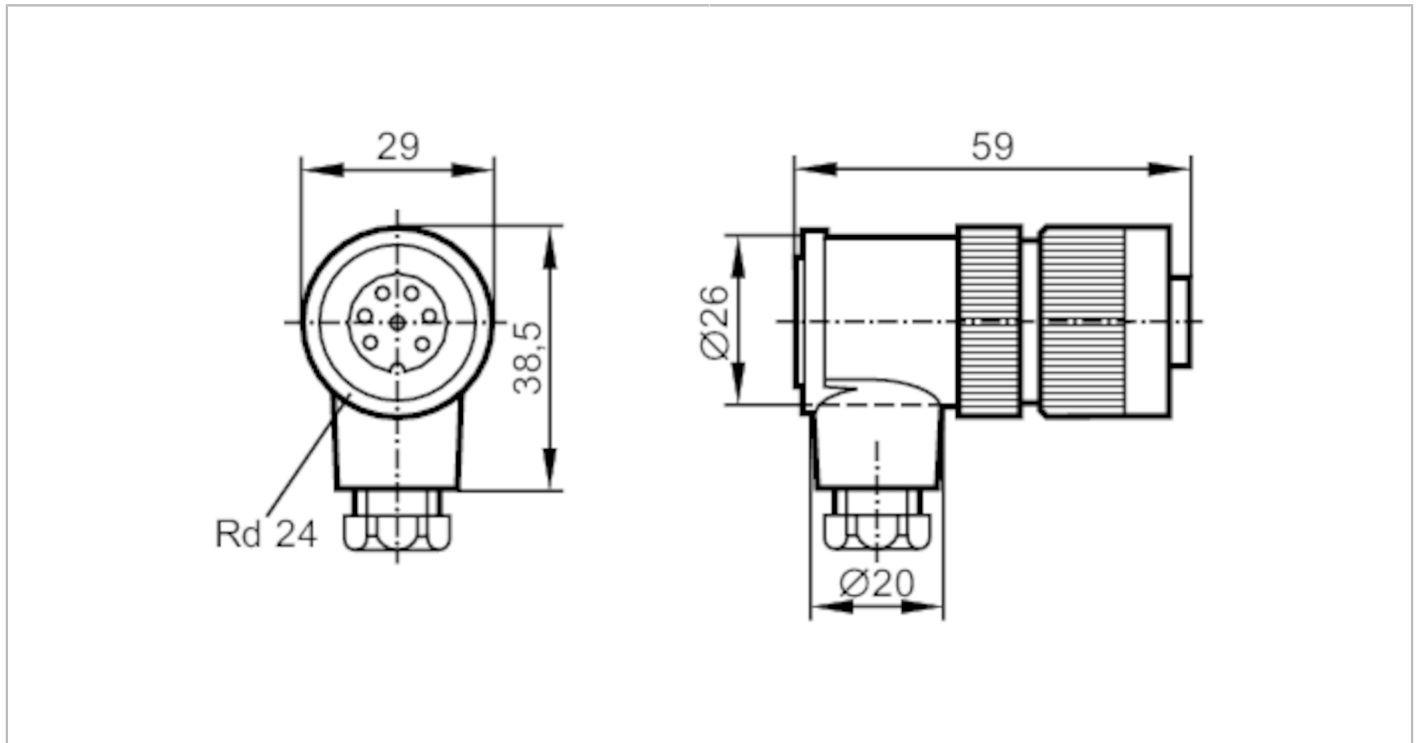


E11043



Female wirable connectors

SDOAL070PLSFKPG



Application	
System	gold-plated contacts
Electrical data	
Operating voltage [V]	< 250 AC / < 300 DC
Operating conditions	
Ambient temperature [°C]	-40...100
Protection	IP 67
Mechanical data	
Weight [g]	43.7
Dimensions [mm]	59 x 29 x 38.5
Molded-body material	PBT
Material nut	PA
Remarks	
Pack quantity	1 pcs.

E11043



Female wirable connectors

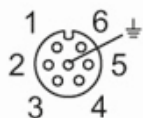
SDOAL070PLSFKPG

Electrical connection

terminals: ...2.5 mm²; Cable sheath: Ø 6...8 mm

Electrical connection - Socket

Connector: 1 x Rd24, angled; coding: A; Moulded body: PBT; Locking: PA; Contacts: gold-plated



Connection

