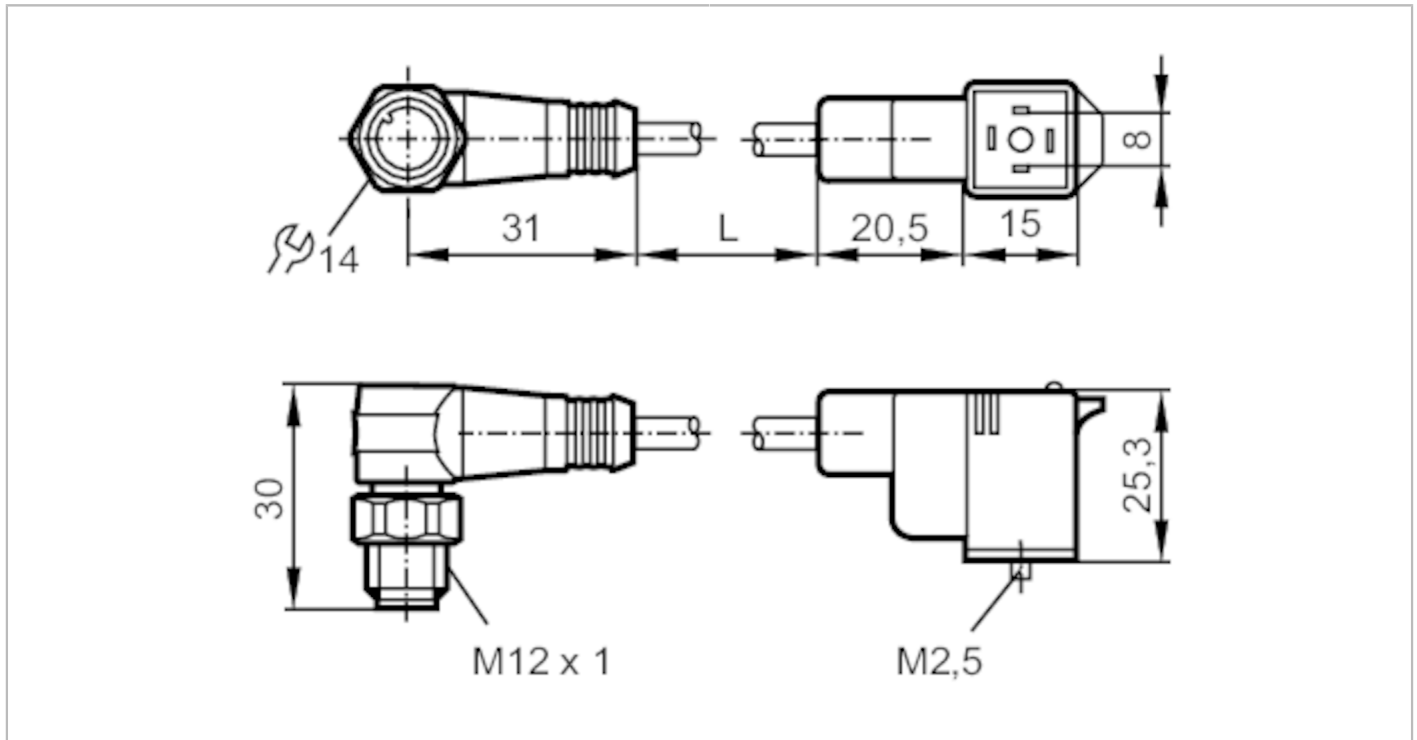


# E10844



## Patchcords with valve plug

VVDAC041MSS00,3A03STAH030VAS



Application		
System		Halogen-free
Electrical data		
Operating voltage	[V]	< 24 AC/DC
Overtoltage protection		yes; (VDR)
Operating conditions		
Ambient temperature	[°C]	-25...90
Protection		IP 67
Mechanical data		
Weight	[g]	45.7
Molded-body material		TPU (urethane)
Material nut		stainless steel (1.4404 / 316L)
Displays / operating elements		
Display	Power	1 x LED, yellow
Accessories		
Items supplied		screw: 1 panel for labelling: 1
Remarks		
Pack quantity		1 pcs.

# E10844

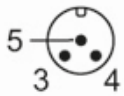


## Patchcords with valve plug

VVDAC041MSS00,3A03STAH030VAS

### Electrical connection - plug

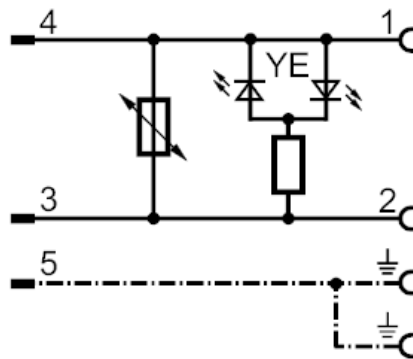
Connector: 1 x M12, angled; coding: A; Moulded body: TPU (urethane); Locking: stainless steel (1.4404 / 316L); Tightening torque: 0.5 Nm



### Electrical connection

Cable: 0.3 m, PUR, Halogen-free, black, Ø 4.8 mm; 3 x 0.5 mm<sup>2</sup> (16 x Ø 0.2 mm )

### Connection



### Electrical connection - Socket

Connector: 1 x valve type C DIN, angled; Moulded body: TPU (urethane); Locking: stainless steel (1.4404 / 316L); Tightening torque: 0.5 Nm

