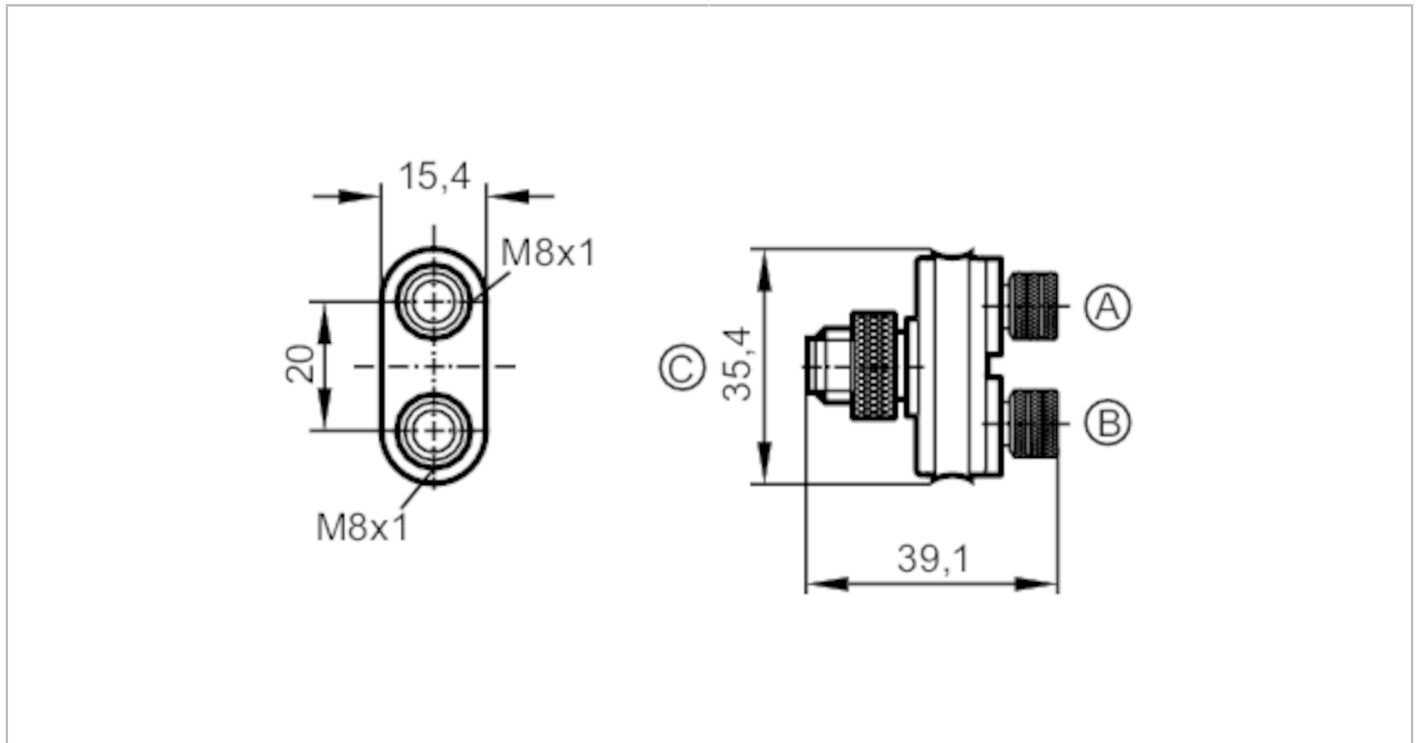


E10802



Y/T splitter

ZDO2F030MSS0000-00STGH040MSS



Application	
System	Free from silicone; gold-plated contacts
Free from silicone	yes
Electrical data	
Operating voltage [V]	< 60 DC
Protection class	III
Max. current load per module/slot [A]	3
Max. current load total [A]	3
Operating conditions	
Ambient temperature [°C]	-25...90
Protection	IP 67
Mechanical data	
Weight [g]	21.8
Dimensions [mm]	15.4 x 35.4 x 39.1
Material	PUR
Molded-body material	PUR
Material nut	brass, nickel-plated
Connector type	M8
Remarks	
Pack quantity	1 pcs.

E10802



Y/T splitter

ZDO2F030MSS0000-00STGH040MSS

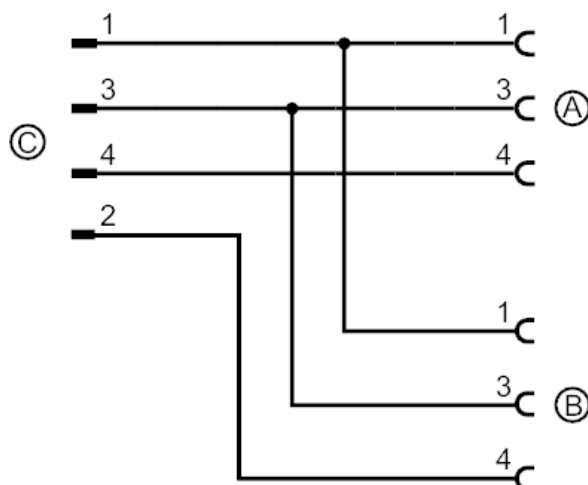
Electrical connection - plug

Connector: 1 x M12; coding: A; Moulded body: PUR; Locking: brass, nickel-plated; Contacts: gold-plated



Electrical connection

Connection



Electrical connection - Socket

Connector: 2 x M8; coding: A; Moulded body: PUR; Locking: brass, nickel-plated; Contacts: gold-plated

