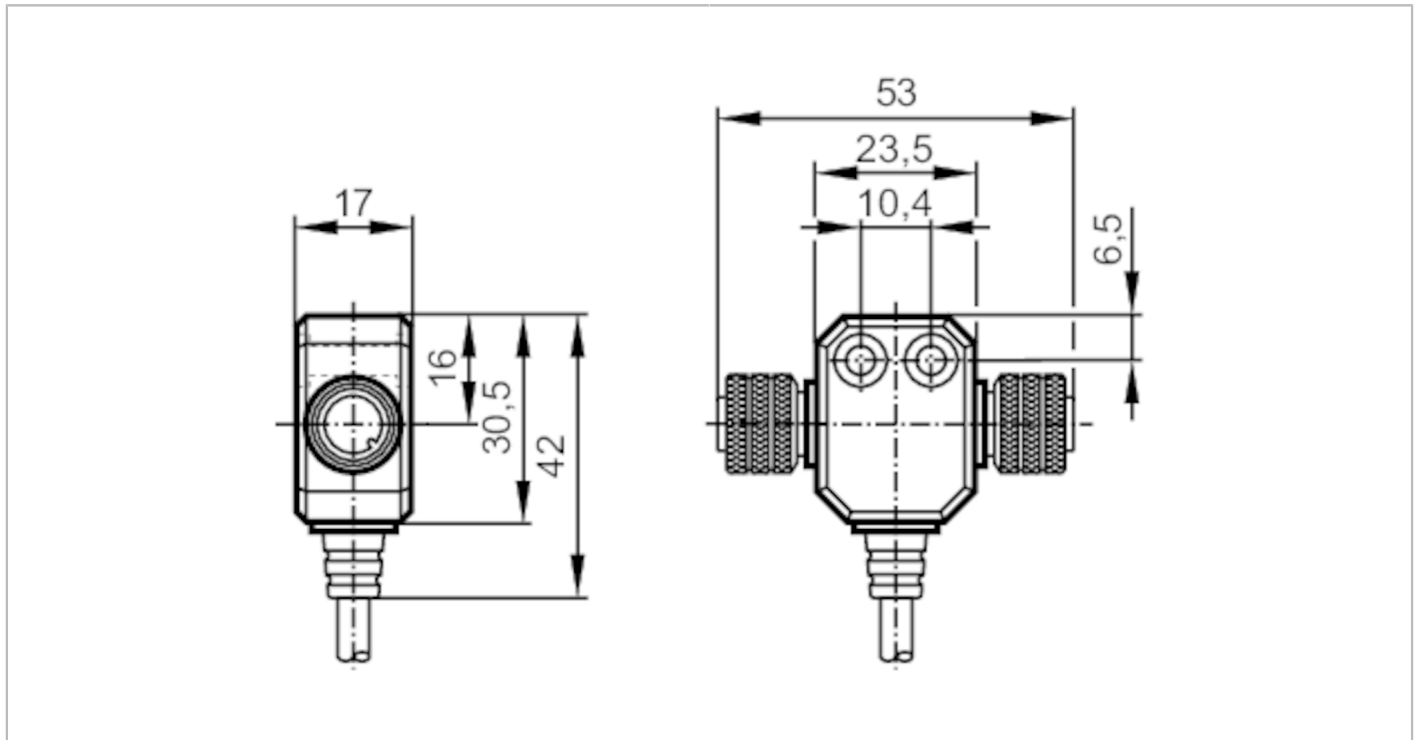


# E10437



## Y/T splitter

ZDO2H040MSS0005H05



Application	
System	Free from silicone; Halogen-free; gold-plated contacts
Free from silicone	yes
Electrical data	
Operating voltage [V]	10...55 DC
Max. current load per module/slot [A]	4
Max. current load total [A]	4
Operating conditions	
Ambient temperature [°C]	-25...80
Protection	IP 67
Mechanical data	
Weight [g]	160.7
Molded-body material	TPU (urethane)
Material nut	brass, nickel-plated
Number of ports splitter box	2
Connector type	M12
Remarks	
Pack quantity	1 pcs.

# E10437



## Y/T splitter

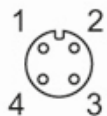
ZDO2H040MSS0005H05

### Electrical connection

Cable: 5 m, PUR, Halogen-free, black, Ø 5 mm; 4 x 0.25 mm<sup>2</sup> (32 x Ø 0.1 mm )

### Electrical connection - Socket

Connector: 2 x M12; coding: A; Moulded body: TPU (urethane); Locking: brass, nickel-plated; Contacts: gold-plated; Tightening torque: 0.5 Nm



### Connection

<u>BN</u>	<u>1 (1...2)</u>	<u>C</u>
<u>BU</u>	<u>3 (1...2)</u>	<u>C</u>
<u>BK</u>	<u>4 (1)</u>	<u>C</u>
<u>WH</u>	<u>4 (2)</u>	<u>C</u>

	Core colors :
BK =	black
BN =	brown
BU =	blue
WH =	white