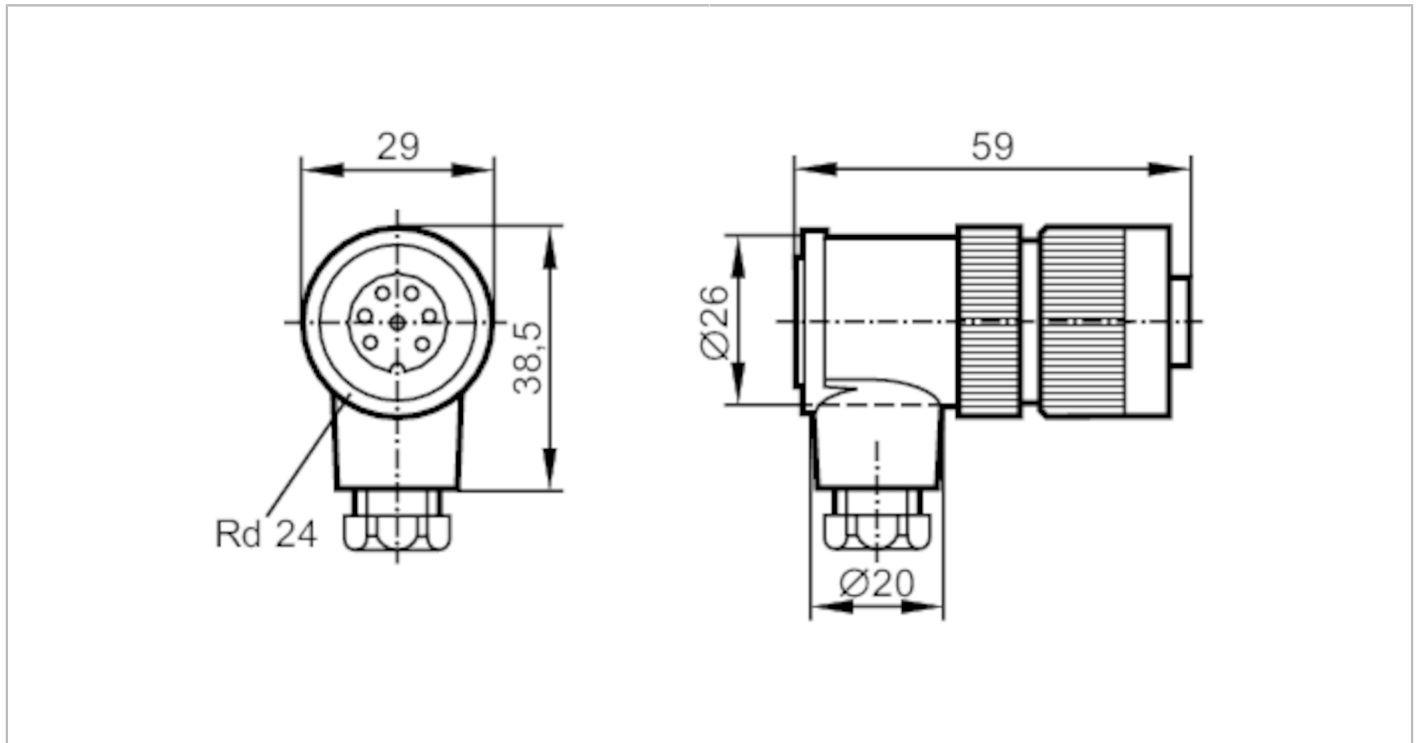


E1004A



Female wirable connectors

SDOAL070PLNFKPG/1D/1G



Application	
System	gold-plated contacts
Application	connection to certified intrinsically safe circuits
Operating conditions	
Ambient temperature	[°C] -20...80
Protection	IP 67
Tests / approvals	
Approval	BVS 05 ATEX E106
ATEX marking	Ex II 1G Ex ia IIC T6 Ga Ex II 1D Ex ia IIIB T85°C Da Ex II 1D Ex ia IIIC T85°C Da
Mechanical data	
Weight	[g] 53.5
Dimensions	[mm] 59 x 29 x 38.5
Material	PBT
Molded-body material	PBT
Material nut	PA
Remarks	
Remarks	Ta according to table "Total power of the current circuits" in the corresponding operating instructions (safety-related part ATEX) Several intrinsically safe circuits may be connected to the sockets. The sum of the voltages of one or more intrinsically safe circuits must not exceed the following value: Utotal max = 60 V (peak value)

E1004A



Female wirable connectors

SDOAL070PLNFKPG/1D/1G

Pack quantity

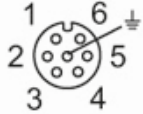
1 pcs.

Electrical connection

terminals: ...2.5 mm²; Cable sheath: Ø 6...8 mm

Electrical connection - Socket

Connector: 1 x Rd24, angled; coding: A; Moulded body: PBT; Locking: PA; Contacts: gold-plated



Connection

