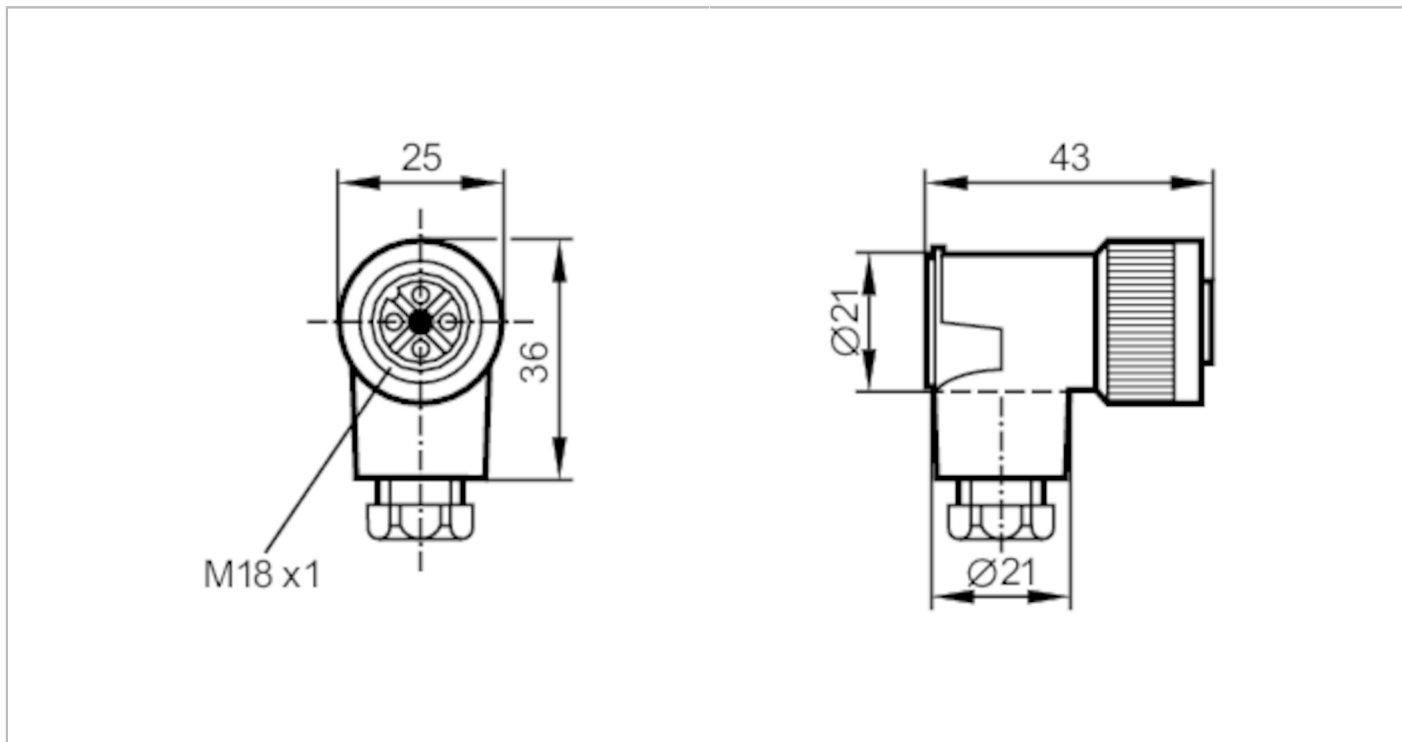


E1003A



Female wirable connectors

SDOAJ040PLNFKPG/1D/1G



Application	
Application	connection to certified intrinsically safe circuits
Operating conditions	
Ambient temperature	[°C] -20...80
Protection	IP 65
Tests / approvals	
Approval	BVS 05 ATEX E106
ATEX marking	<div style="display: flex; align-items: center; gap: 5px;"> Ex II 1G Ex ia IIC T6 Ga </div> <div style="display: flex; align-items: center; gap: 5px;"> Ex II 1D Ex ia IIIB T85°C Da </div> <div style="display: flex; align-items: center; gap: 5px;"> Ex II 1D Ex ia IIIC T85°C Da </div>
Mechanical data	
Weight	[g] 41.2
Dimensions	[mm] 43 x 25 x 36
Material	PBT
Molded-body material	PBT
Material nut	PA
Remarks	
Remarks	<p>Ta according to table "Total power of the current circuits" in the corresponding operating instructions (safety-related part ATEX)</p> <p>Several intrinsically safe circuits may be connected to the sockets.</p> <p>The sum of the voltages of one or more intrinsically safe circuits must not exceed the following value:</p> <p style="text-align: center;">U_{total max} = 60 V (peak value)</p>
Pack quantity	1 pcs.

E1003A



Female wirable connectors

SDOAJ040PLNFKPG/1D/1G

Electrical connection

terminals: ...0.75 mm²; Cable sheath: Ø 6...8 mm

Electrical connection - Socket

Connector: 1 x M18, angled; coding: A; Moulded body: PBT; Locking: PA



Connection

