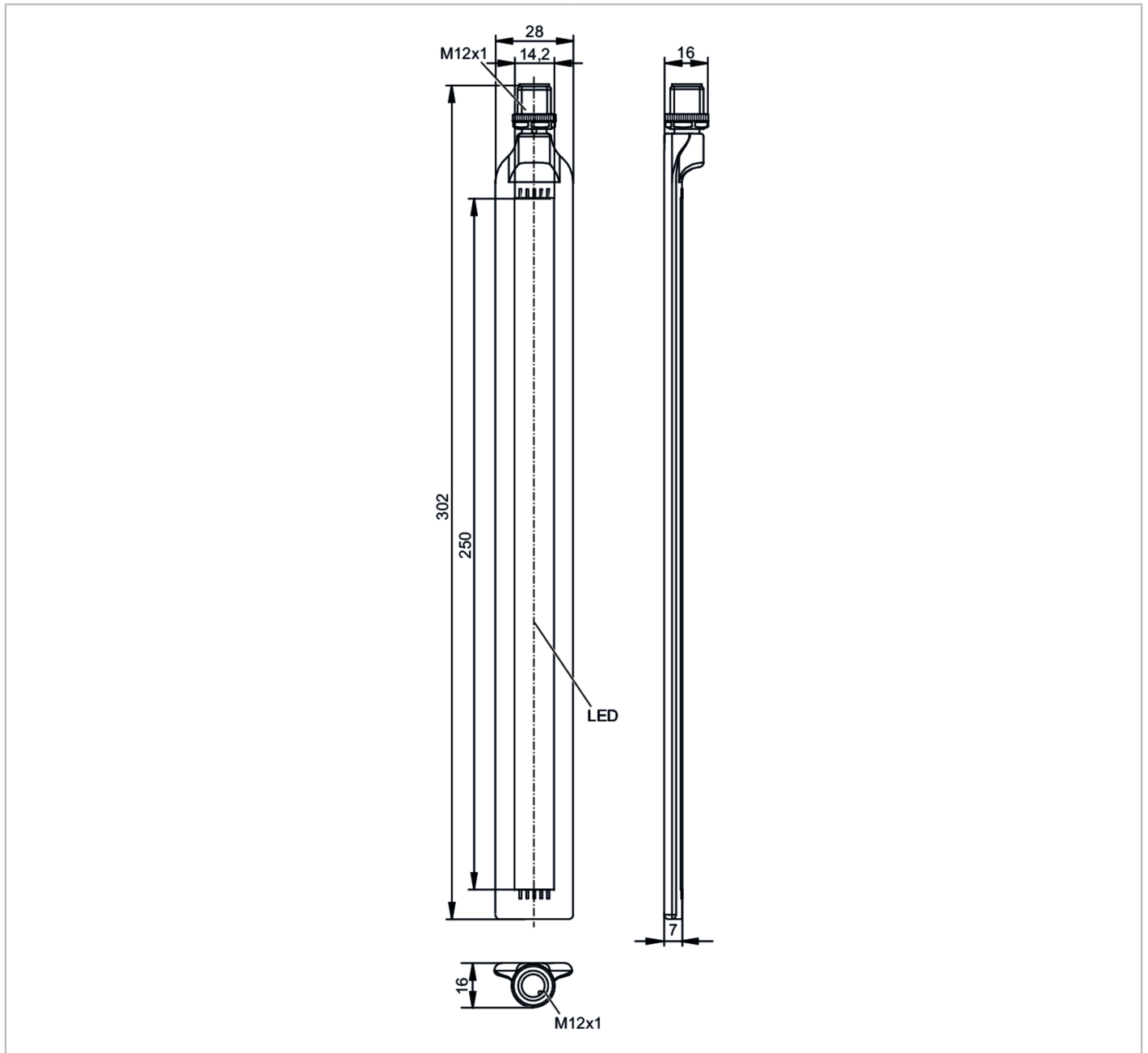


# DV3010



## Machine light

LED-Light-RGBW/ 250L 24C/CH /T



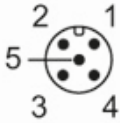
Application	
System	gold-plated contacts
Application	illumination and signalling of machine conditions
Electrical data	
Operating voltage [V]	21.6...26.4 DC
Nominal voltage DC [V]	24; (to SELV/PELV)
Max. current consumption [mA]	300; (red: 43; green: 43; blue: 43; white: 172)
Color temperature [K]	4000
Luminous flux [lm]	red: 40; green: 90; blue: 18; white: 450
Typ. lifetime [h]	65000

# DV3010



## Machine light

LED-Light-RGBW/ 250L 24C/CH /T

Inputs		
Input circuit of digital inputs		24 V PNP
Operating conditions		
Ambient temperature	[°C]	-20...45
Max. relative air humidity	[%]	90
Max. height above sea level	[m]	4000
Protection		IP 68; IP 69K
Degree of soiling		2
Tests / approvals		
Approval		IEC 62471; IEC 62031; IEC 60598; IEC 61000-6-2
MTTF	[years]	744
Mechanical data		
Weight	[g]	99.5
Dimensions	[mm]	302 x 28 x 16
Material		housing: TPU / PA grey
Displays / operating elements		
Display	Illumination	LED, white
	signaling machine conditions	LED, multi-color RGB
Remarks		
Pack quantity		1 pcs.
Electrical connection		
Connector: 1 x M12, straight; coding: A; Locking: brass, nickel-plated; Contacts: gold-plated; Tightening torque: 0.6...1.5 Nm		
		
1	L+	(red)
2	L+	(green)
3	L-	
4	L+	(white)
5	L+	(blue)

# DV3010

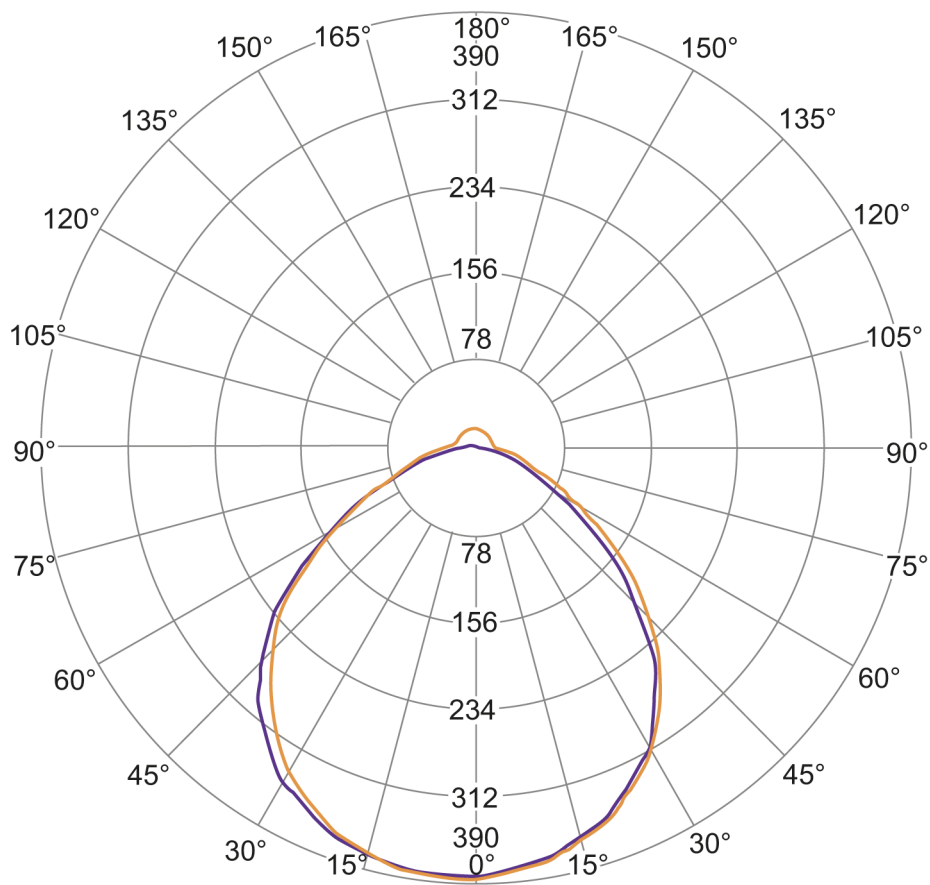


## Machine light

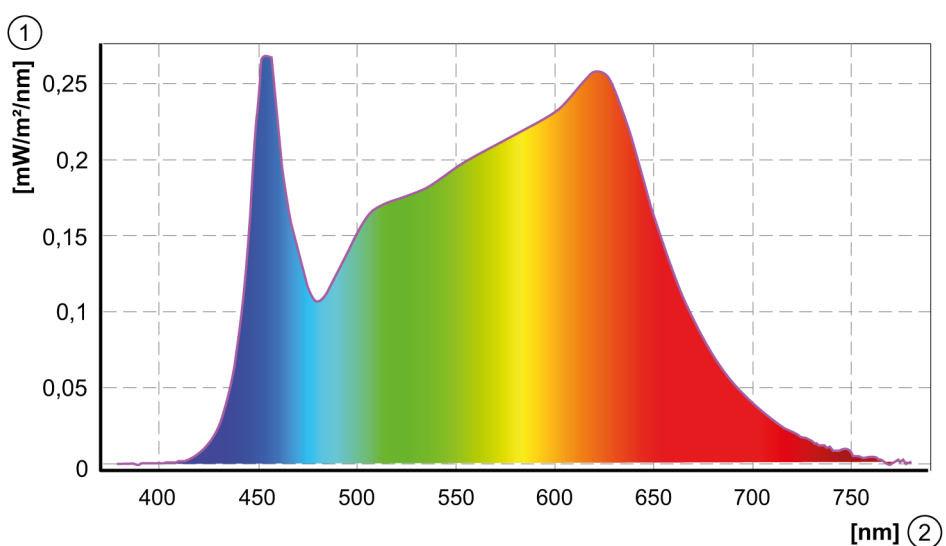
LED-Light-RGBW/ 250L 24C/CH /T

### Diagrams and graphs

light intensity distribution curve



light spectrum



- 1 brightness
- 2 Wave length