

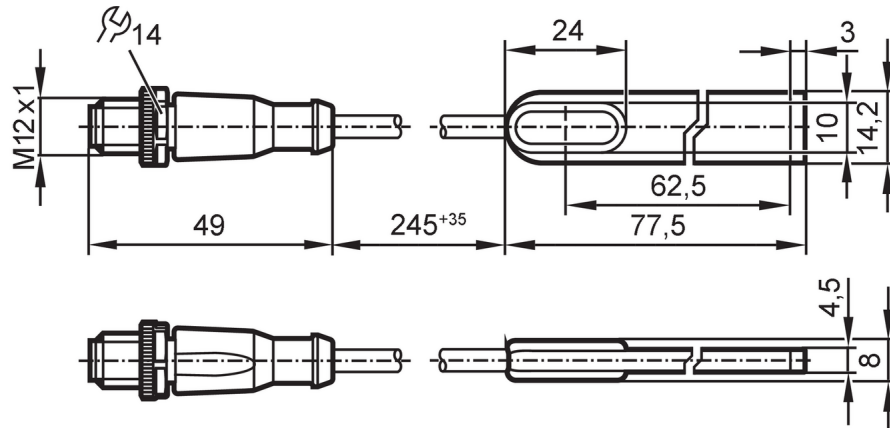
DV1200



LED strip RGBW

LED-Strip-RGBW-transp-62,5mm-fb

IO-Link-capable with DP1615



Application

System	Free from silicone; gold-plated contacts; Drag chain suitability
Application	signaling machine conditions; sanitary and wet areas in the food industry
Free from silicone	yes

Electrical data

Operating voltage	[V]	21.6...26.4 DC
Nominal voltage DC	[V]	24; (to SELV/PELV)
Max. current consumption	[mA]	90; (red: 20; green: 20; blue: 20; white: 30)
Color temperature	[K]	7500
Luminous flux	[lm]	red: 184.96; green: 572; blue: 116; white: 768.32
Note on luminous flux	[lm]	luminous flux indications refer to one meter of LED strip
Typ. lifetime	[h]	38000

Inputs

Input circuit of digital inputs	24 V PNP
---------------------------------	----------

Operating conditions

Ambient temperature	[°C]	-20...45
Max. relative air humidity	[%]	90
Max. height above sea level	[m]	4000
Protection		IP 68
Degree of soiling		2

Tests / approvals

Approval	EN 62471; IEC 62031
----------	---------------------

Mechanical data

Weight	[g]	43.8
Dimensions	[mm]	77.5 x 14.2 x 4.5
Material		housing: TPU (urethane)
Molded-body material		PVC
Material nut		stainless steel (1.4404 / 316L)

DV1200



LED strip RGBW

LED-Strip-RGBW-transp-62,5mm-fb

Sealing material	EPDM	
Drag chain suitability	yes	
Drag chain suitability	Bending radius for flexible applications	min. 10 x cable diameter
	Travel speed	max. 3.3 m/s for a horizontal travel length of 5 m and max. acceleration of 5 m/s ²
	Bending cycles	> 1 Mio.
	Torsional strain	± 180 °/m

Displays / operating elements

Display	signaling machine conditions	LED, multi-color RGB
	mounting light	LED, white

Remarks

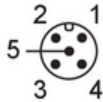
Notes	IO-Link-capable with DP1615	
Pack quantity	1 pcs.	

Electrical connection

Cable: 0.3 m, PVC, orange, Ø 4.9 mm; 5 x 0.34 mm² (42 x Ø 0.1 mm)

Connector: M12, straight; coding: A; Moulded body: PVC, orange; Locking: stainless steel (1.4404 / 316L); sealing: EPDM;

Contacts: gold-plated; Tightening torque: 0.6...1.5 Nm



1	+ red
2	+ green
3	GND
4	+ white
5	+ blue

DV1200



LED strip RGBW

LED-Strip-RGBW-transp-62,5mm-fb

Diagrams and graphs

light intensity distribution curve

