

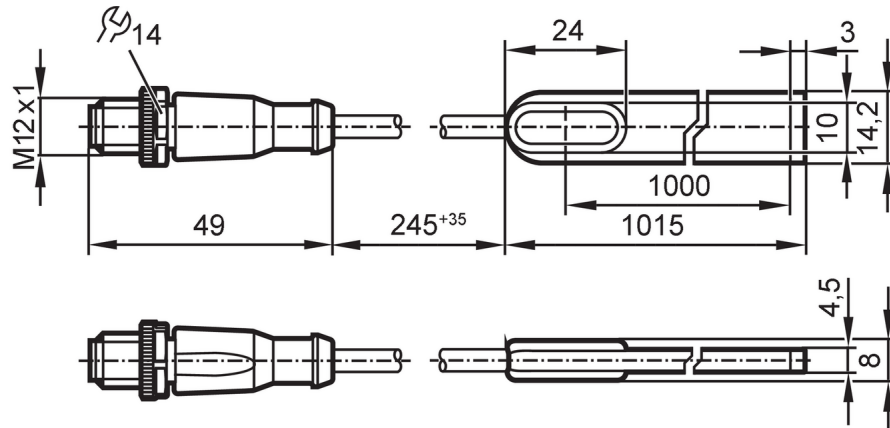
# DV1104



## LED strip RGBW

LED-Strip-RGBW-transp-1000mm-cl

IO-Link-capable with DP1615



### Application

|             |                                    |
|-------------|------------------------------------|
| System      | Halogen-free; gold-plated contacts |
| Application | signaling machine conditions       |

### Electrical data

|                          |      |   |
|--------------------------|------|---|
| Operating voltage        | [V]  | 21.6...26.4 DC  |
| Nominal voltage DC       | [V]  | 24; (to SELV/PELV)  |
| Max. current consumption | [mA] | 1440; (red: 320; green: 320; blue: 320; white: 480)       |
| Color temperature        | [K]  | 7500  |
| Luminous flux            | [lm] | red: 184.96; green: 572; blue: 116; white: 768.32         |
| Note on luminous flux    | [lm] | luminous flux indications refer to one meter of LED strip |
| Typ. lifetime            | [h]  | 38000   |

### Inputs

|                                 |          |
|---------------------------------|----------|
| Input circuit of digital inputs | 24 V PNP |
|---------------------------------|----------|

### Operating conditions

|                             |      |          |
|-----------------------------|------|----------|
| Ambient temperature         | [°C] | -20...45 |
| Max. relative air humidity  | [%]  | 90       |
| Max. height above sea level | [m]  | 4000     |
| Protection                  |      | IP 68    |
| Degree of soiling           |      | 2        |

### Tests / approvals

|          |                     |
|----------|---------------------|
| Approval | EN 62471; IEC 62031 |
|----------|---------------------|

### Mechanical data

|                  |      |                         |
|------------------|------|-------------------------|
| Weight           | [g]  | 118.4                   |
| Dimensions       | [mm] | 1015 x 14.2 x 4.5       |
| Material         |      | housing: TPU (urethane) |
| Sealing material |      | FKM                     |

# DV1104



## LED strip RGBW

LED-Strip-RGBW-transp-1000mm-cl

### Displays / operating elements

|         |                              |                      |
|---------|------------------------------|----------------------|
| Display | signaling machine conditions | LED, multi-color RGB |
|         | mounting light               | LED, white           |

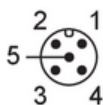
### Remarks

|               |                             |
|---------------|-----------------------------|
| Notes         | IO-Link-capable with DP1615 |
| Pack quantity | 1 pcs.                      |

### Electrical connection

Cable: 0.3 m, PUR, Halogen-free, black, Ø 4.3 mm; 5 x 0.34 mm<sup>2</sup> (42 x Ø 0.1 mm )

Connector: M12, straight; coding: A; Moulded body: TPU (urethane), orange; Locking: brass, nickel-plated; sealing: FKM; Contacts: gold-plated; Tightening torque: 0.6...1.5 Nm



- 1 + red
- 2 + green
- 3 GND
- 4 + white
- 5 + blue

### Diagrams and graphs

