

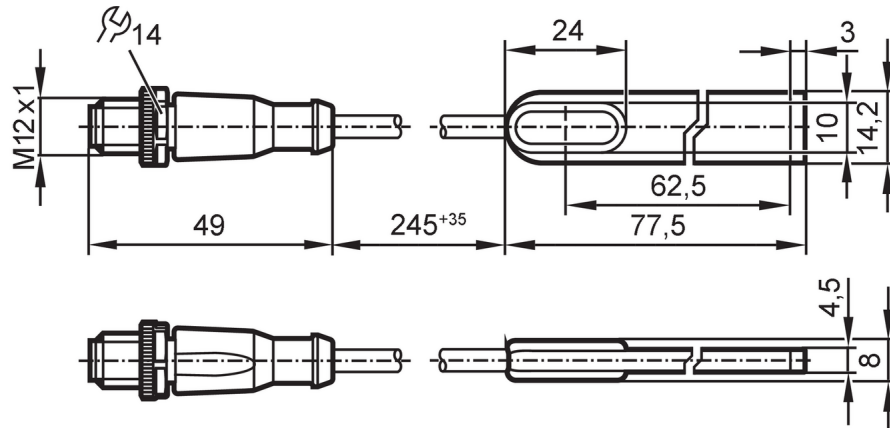
DV1100



LED strip RGBW

LED-Strip-RGBW-transp-62,5mm-cl

IO-Link-capable with DP1615



Application	
System	Halogen-free; gold-plated contacts
Application	signaling machine conditions
Electrical data	
Operating voltage [V]	21.6...26.4 DC
Nominal voltage DC [V]	24; (to SELV/PELV)
Max. current consumption [mA]	90; (red: 20; green: 20; blue: 20; white: 30)
Color temperature [K]	7500
Luminous flux [lm]	red: 184.96; green: 572; blue: 116; white: 768.32
Note on luminous flux [lm]	luminous flux indications refer to one meter of LED strip
Typ. lifetime [h]	38000
Inputs	
Input circuit of digital inputs	24 V PNP
Operating conditions	
Ambient temperature [°C]	-20...45
Max. relative air humidity [%]	90
Max. height above sea level [m]	4000
Protection	IP 68
Degree of soiling	2
Tests / approvals	
Approval	EN 62471; IEC 62031
Mechanical data	
Weight [g]	39.35
Dimensions [mm]	77.5 x 14.2 x 4.5
Material	housing: TPU (urethane)
Sealing material	FKM

DV1100



LED strip RGBW

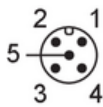
LED-Strip-RGBW-transp-62,5mm-cl

Displays / operating elements		
Display	signaling machine conditions	LED, multi-color RGB
	mounting light	LED, white
Remarks		
Notes	IO-Link-capable with DP1615	
Pack quantity	1 pcs.	

Electrical connection

Cable: 0.3 m, PUR, Halogen-free, black, Ø 4.3 mm; 5 x 0.34 mm² (42 x Ø 0.1 mm)

Connector: 1 x M12, straight; coding: A; Moulded body: TPU (urethane), orange; Locking: brass, nickel-plated; sealing: FKM; Contacts: gold-plated; Tightening torque: 0.6...1.5 Nm



- 1 + red
- 2 + green
- 3 GND
- 4 + white
- 5 + blue

Diagrams and graphs

light intensity distribution curve

