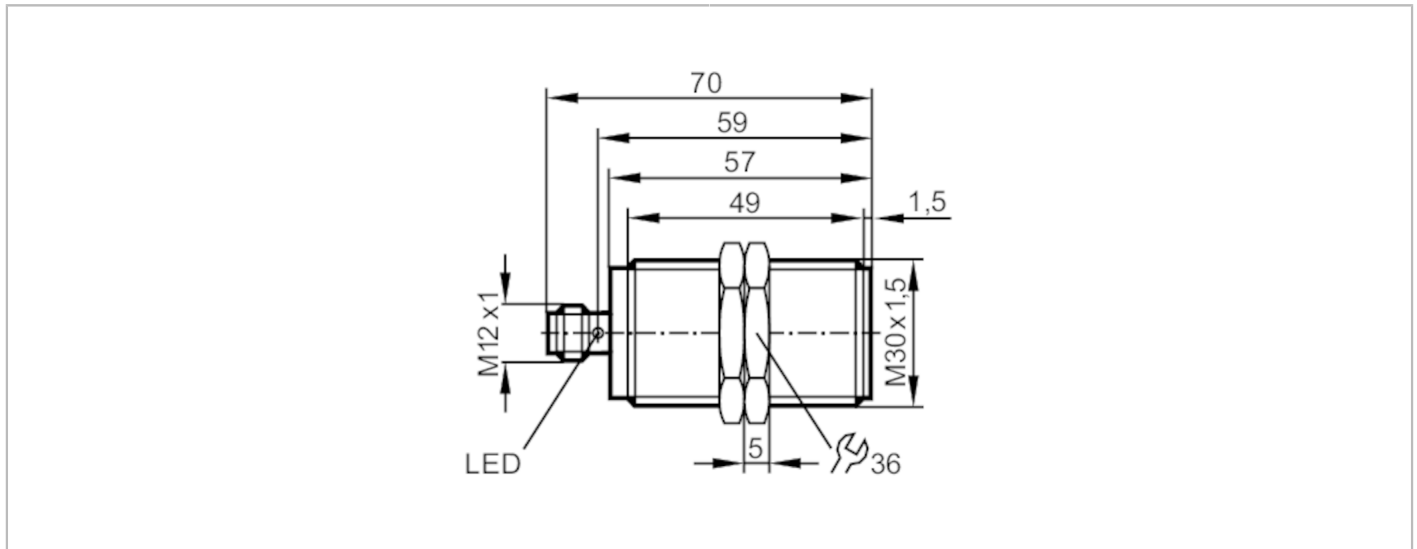


# DTM434



## RFID read/write head with CAN interface and CANopen protocol

DTMHF IBRWCOUS03



Application		
Radio approval for	USA; Canada; EU/RED; Australia; Japan; China; Taiwan; India; Singapore; Ukraine; Brazil	
Note on radio approval	The list of countries applying the European Radio Equipment Directive 2014/53/EU (RED) can be found under "Downloads".	
Electrical data		
Operating voltage [V]	9...32 DC	
Current consumption [mA]	< 50 (24 V) / < 80 (12 V)	
Protection class	III	
Operating frequency [MHz]	13,56	
RFID standard	ISO 15693	
Monitoring range		
Distance write/read head front [mm]	120	
Distance write/read head side [mm]	60	
Distance to the ID tag [mm]	≤ 30	
Interfaces		
Communication interface	CAN	
CAN		
Protocol	CANopen	
Operating conditions		
Ambient temperature [°C]	-40...85	
Storage temperature [°C]	-40...85	
Protection	IP 67; IP 69K	
Tests / approvals		
Shock resistance	EN 60068-2-27	40 g 6 ms / repetitive
	EN 60068-2-27	50 g 11 ms / not repetitive
Vibration resistance	EN 60068-2-6	20 g 10...2000 Hz
MTTF [years]		477

# DTM434



## RFID read/write head with CAN interface and CANopen protocol

DTMHF IBRWCOUS03

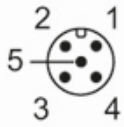
Mechanical data	
Weight [g]	198.5
Housing	Threaded type
Dimensions [mm]	M30 x 1.5 / L = 70
Thread designation	M30 x 1.5
Material	housing: stainless steel; Protective cover: PPS; LED window: PEI

Displays / operating elements		
Display	Preoperational Mode	1 x LED, green lights
	Operational Mode	1 x LED, green flashing
	errors	1 x LED, red flashing
	tag communication	1 x LED, yellow lights

Remarks	
Pack quantity	1 pcs.

### Electrical connection

Connector: 1 x M12; coding: A



1	not used
2	U+
3	GND
4	CAN_H
5	CAN_L