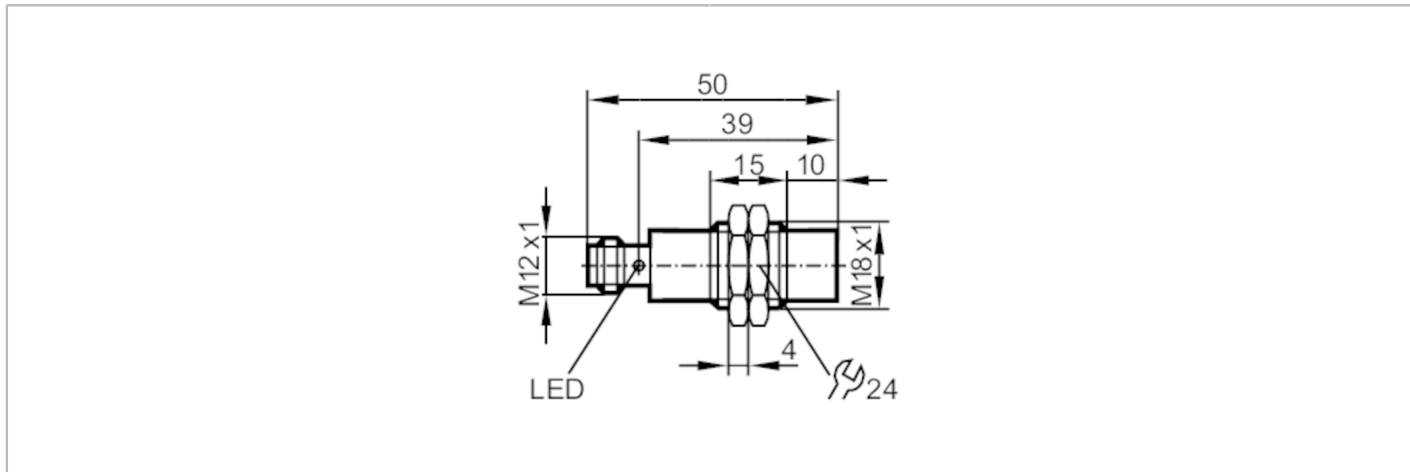


DTI421



RFID read/write head HF

DTRHF GNRWIOUS03



Application

Application	Detection of objects on transport equipment
Radio approval for	USA; Canada; EU/RED; Australia; Japan; China; Taiwan; India; Singapore; South Africa; Brazil; Mexico; Malaysia; New Zealand; South Korea; Vietnam
Note on radio approval	The list of countries applying the European Radio Equipment Directive 2014/53/EU (RED) can be found under "Downloads".

Electrical data

Operating voltage [V]	19.2...28.8 DC
Current consumption [mA]	< 50
Protection class	III
Operating frequency [MHz]	13,56
RFID standard	ISO 15693

Monitoring range

Distance write/read head front [mm]	180
Distance write/read head side [mm]	90
Distance to the ID tag [mm]	referred to 30 mm coin tag; I-CODE SLI : ≤ 40

Interfaces

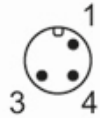
Communication interface	IO-Link
Transmission type	COM2 (38,4 kBaud)
IO-Link revision	1.1
SDCI standard	IEC 61131-9
Profiles	Smart Sensor - SSP 0 Function: Generic Profiled Sensor Device identification
SIO mode	no
Required master port class	A
Min. process cycle time [ms]	22
Supported DeviceIDs	Type of operation default : DeviceID 967

DTI421



RFID read/write head HF

DTRHF GNRWIOUS03

Operating conditions		
Ambient temperature	[°C]	-20...60
Storage temperature	[°C]	-25...80
Protection		IP 67; IP 69K
Tests / approvals		
Shock resistance	EN 60068-2-27	40 g 6 ms / repetitive
	EN 60068-2-27	50 g 11 ms / not repetitive
Vibration resistance	EN 60068-2-6	20 g 10...2000 Hz
MTTF	[years]	556
Mechanical data		
Weight	[g]	120.5
Housing		Threaded type
Mounting		non-flush mountable
Dimensions	[mm]	M18 x 1 / L = 50
Thread designation		M18 x 1
Material		housing: stainless steel; Protective cover: PPS; LED window: PEI
Displays / operating elements		
Display	Power	1 x LED, green
	tag communication	1 x LED, yellow
Accessories		
Items supplied		lock nuts: 2 x M18
Remarks		
Pack quantity		1 pcs.
Electrical connection		
Connector: 1 x M12; coding: A		
		

DTI421



RFID read/write head HF

DTRHF GNRWIOUS03

Connection

